



Mono autoformer attenuator volume control provides precise level adjustment of single or multiple speaker lines.

### FEATURES:

- Mono autoformer attenuator with rotary switch for use with (70V/100V) single or multiple speaker lines
- 200W power rating
- 3dB per step attenuation (33dB total, two steps of 6dB each before off)
- Phoenix style plug-in screw termination strips for pre-wire convenience
- Wire capacity to 14 gauge
- Two-gang decorator style wall plate (stainless steel with black subplate)
- Rotary switch — 0-max (10)
- Designed to fit a standard one-gang E.O. box with minimum depth of 2.5" including mud ring, if used (box not included)
- ETL Listed

### A&E SPECIFICATIONS:

The ETL Listed 200W mono autoformer attenuator volume control shall be Lowell model 200LVC-DSB, which shall feature 3dB per step attenuation with two positions of 6dB before “off.” The volume control shall have plug-in termination for up to 14-gauge wire for 70V or 100V input connections (from an amplifier), and 70V or 100V output (to a speaker/transformer assembly). The VC shall include a black rotary knob and a two-gang decorator style wall plate (stainless steel with black subplate).

### OPTIONS: (order separately)

- P1X-2: Two-gang steel surface box with knockouts, white finish. 4.625"H x 4.625"W x 2.5"D. Includes U-clips.

### 200LVC Series Attenuator Summary

Model No.	Power Rating	Attenuation *	Type	Switch	Style	Color	For Use With
200LVC	200W	3dB steps	Auto-trans	Rotary	Standard 2g Wall Plate	SS	70V/100V Speaker Line
<b>200LVC-DSB</b>	<b>200W</b>	<b>3dB steps</b>	<b>Auto-trans</b>	<b>Rotary</b>	<b>Decorator 2g Wall Plate</b>	<b>SS &amp; Black</b>	<b>70V/100V Speaker Line</b>
200LVC-RM	200W	3dB steps	Auto-trans	Rotary	Adhesive Label **	Black	70V/100V Speaker Line
200LVC-RMDB	200W	3dB steps	Auto-trans	Rotary	Decorator Subplate **	Black	70V/100V Speaker Line

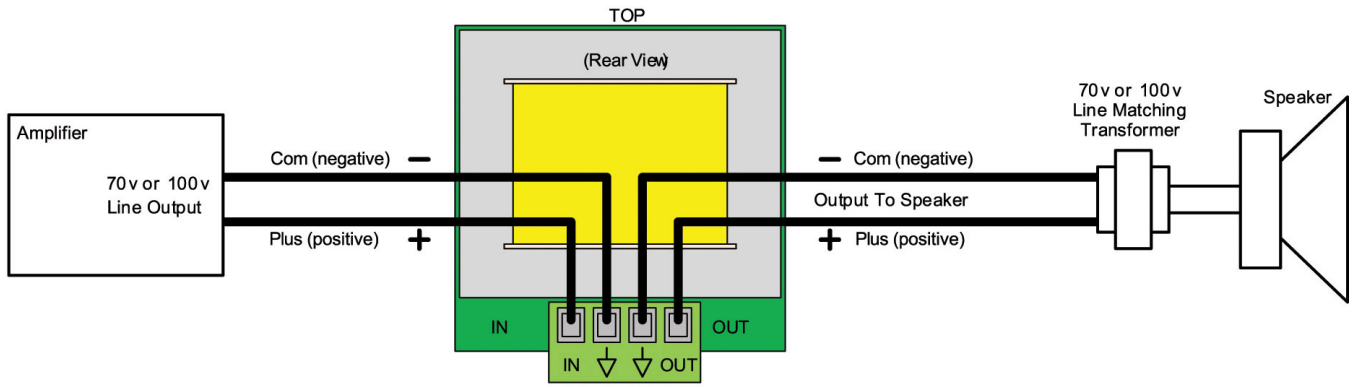
\* 33dB total; two steps of 6dB each before off

\*\* For rackmount panel

This spec



# WIRING & SCHEMATICS:



Note: Units manufactured before May 2014 had terminals located at the top. When connecting either version be sure to observe INPUT/OUTPUT and polarity designations.

