

Volume control with wall plate provides precise level adjustment of single or multiple speaker lines.

### FEATURES:

- Mono autoformer attenuator with rotary switch for use with 25V/70V/100V speaker line
- 100W power rating
- 1.5dB per step attenuation (13.5dB total)
- Phoenix style plug-in screw termination strips for pre-wire convenience
- Wire capacity to 14 gauge
- Decorator style one-gang almond wall plate (2.75" x 4.5"), with printing
- Rotary switch, non-continuous rotation — 0-max (10)
- Designed to fit a standard one-gang E.O. box with minimum depth of 2.125" (minimum inside dimensions of 1.875"W x 2.688"H x 2.125"D). Box not included.
- ETL Listed
- Assembled in the U.S.A.

### A&E SPECIFICATIONS:

The ETL Listed volume control shall be Lowell model 10015LVC-DA, which shall have a 100W power rating and 1.5dB per step attenuation (13.5dB total). It shall feature phoenix style plug-in screw termination strips for pre-wire and up to 14 gauge wire capacity. The volume control shall include a one-gang decorator style almond wall plate (2.75" x 4.5") with printing.

### OPTIONS: (order separately)

- P1X: One-gang steel surface box with knockouts and white finish. 4.625"H x 2.875"W x 2.5"D. Includes two U-clips.

### 10015LVC Series Attenuator Summary

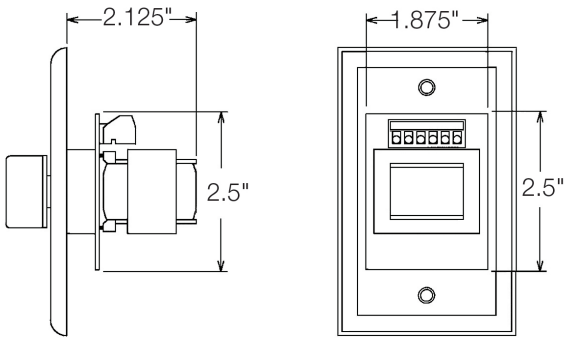
Model No.	Power Rating	Attenuation *	Type	Switch	Style	Color	For Use With
10015LVC	100W	1.5dB steps	Auto-trans	Rotary	Standard Wall Plate	SS	25V/70V/100V Speaker Line
10015LVC-SW	100W	1.5dB steps	Auto-trans	Rotary	Standard Wall Plate	White	25V/70V/100V Speaker Line
<b>10015LVC-DA</b>	<b>100W</b>	<b>1.5dB steps</b>	<b>Auto-trans</b>	<b>Rotary</b>	<b>Decorator Wall Plate</b>	<b>Almond</b>	<b>25V/70V/100V Speaker Line</b>
10015LVC-DB	100W	1.5dB steps	Auto-trans	Rotary	Decorator Wall Plate	Black	25V/70V/100V Speaker Line
10015LVC-DW	100W	1.5dB steps	Auto-trans	Rotary	Decorator Wall Plate	White	25V/70V/100V Speaker Line
10015LVC-RM	100W	1.5dB steps	Auto-trans	Rotary	Adhesive Label **	Black	25V/70V/100V Speaker Line

This spec ▶

\* 13.5 dB total

\*\* For rackmount panel





Mounts E.O. Boxes:

- Lowell surface box (P1X)
- 4" Sq. x 2.125"D with raised mud ring (RACO 232, 235, or equiv.)
- One-gang handy box 2.125"D (RACO 670, 671, 678, or equiv.)

**Note:** Lowell 100W LVC volume controls are deeper than other LVC models so a one-gang handy box will allow only minimal room for control and wiring.

Models with a decorator style wall plate used in multi-device installations (multi-gang trim plate by others) also accept:

- Two-gang switch box 2.125"D (RACO 680, 681, 683, 685, or equiv.)
- Multi-gang switch box 2.5"D (RACO 686, 687, or equiv.)

**WIRING & SCHEMATICS:**

