

Volume control with priority relay (emergency bypass) and wall plate provides precise level adjustment of single or multiple speaker lines.

FEATURES:

- Mono autoformer attenuator with rotary switch for use with 25V/70V/100V speaker line
- Priority Relay: (24VDC@15mA) relay for applications requiring capability to override (bypass) the attenuator with an emergency page or signal.
- 100W power rating
- Switch positions Off-10
- 3dB per step attenuation (33dB total, two steps of 6dB each before off)
- Phoenix style plug-in screw termination strips for pre-wire convenience
- Wire capacity to 14 gauge
- Decorator-style one-gang almond wall plate (2.75" x 4.5"), with printing
- Fits standard E.O. box with minimum depth of 2.125"
- ETL Listed
- Assembled in the U.S.A. with global components

A&E SPECIFICATIONS:

The volume control shall be Lowell model 100LVC-PA-DA, which shall have a 100W power rating and attenuation of 3dB per step with two steps of 6dB each before off. The volume control shall feature an emergency bypass (24VDC@15mA relay), rotary knob, and decorator-style one-gang almond wall plate. The control shall be ETL Listed.

OPTIONS: (order separately)

- P1X: One-gang steel surface box with knockouts and white finish. 4.625"H x 2.875"W x 2.5"D. Includes two U-clips.

100LVC-PA Series Summary (attenuators with priority relay)[†]

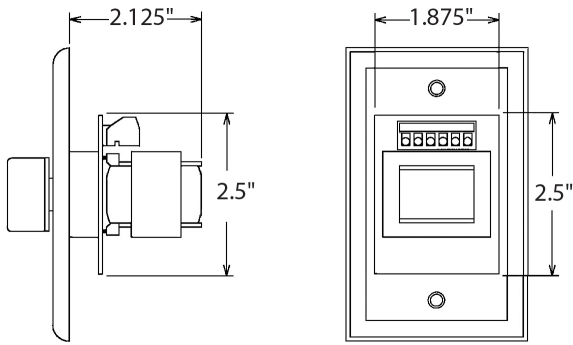
This spec ▶

Model No.	Power Rating	Attenuation *	Type	Switch	Style	Color	For Use With
100LVC-PA	100W	3dB steps	Priority-trans	Rotary	Standard Wall Plate	SS	25V/70V/100V Speaker Line
100LVC-PA-SW	100W	3dB steps	Priority-trans	Rotary	Standard Wall Plate	White	25V/70V/100V Speaker Line
100LVC-PA-DA	100W	3dB steps	Priority-trans	Rotary	Decorator Wall Plate	Almond	25V/70V/100V Speaker Line
100LVC-PA-DB	100W	3dB steps	Priority-trans	Rotary	Decorator Wall Plate	Black	25V/70V/100V Speaker Line
100LVC-PA-DW	100W	3dB steps	Priority-trans	Rotary	Decorator Wall Plate	White	25V/70V/100V Speaker Line
100LVC-PA-RM	100W	3dB steps	Priority-trans	Rotary	Adhesive Label **	Black	25V/70V/100V Speaker Line

[†] Note: For models without the priority relay, see the 100LVC Series (instead of the 100LVC-PA Series)

* 33dB total; two steps of 6dB each before off

** For rackmount panel



Mounts E.O. Boxes:

- Lowell surface box (P1X)
 - 4" Sq. x 2.125"D with raised mud ring (RACO 232, 235, or equiv.)
 - One-gang handy box 2.125"D (RACO 670, 671, 678, or equiv.)
- Note:** Lowell 100W LVC volume controls are deeper than other LVC models so a one-gang handy box will allow only minimal room for control and wiring.

Models with a decorator style wall plate used in multi-device installations (multi-gang trim plate by others) also accept:

- Two-gang switch box 2.125"D (RACO 680, 681, 683, 685, or equiv.)
- Multi-gang switch box 2.5"D (RACO 686, 687, or equiv.)

Wiring and Schematics

