



Side view

Volume control with key lock and emergency bypass secures volume settings for critical paging and/or emergency systems. The control allows precise level adjustment of (single or multiple) speaker lines and is advantageous for maintaining listening levels for music, paging or masking in health clubs, entertainment venues, retail locations, schools, offices, and similar facilities.

FEATURES:

- Mono autoformer attenuator with key switch for use with 25V/70V/100V speaker line
- Emergency Bypass: 24VDC @5mA relay for applications requiring emergency and paging signals to bypass or override the control.
- 100W power rating
- 3dB per step attenuation (33dB total, two steps of 6dB each before off)
- Key switch — Off-max (10)
- Phoenix style plug-in screw termination strips for pre-wire convenience
- Wire capacity to 14 gauge
- One-gang decorator-style wall plate (stainless steel and white, 2.75" x 4.5"), with printing
- Designed to fit a standard one-gang E.O. box with minimum depth of 2.125" (box not included)
- ETL Listed
- Assembled in the U.S.A. with global components

A&E SPECIFICATIONS:

The volume control with wall plate, key lock, and emergency bypass shall be Lowell model KL100-PA-DSW with 100W power rating, 3dB per step attenuation, switch positions 10-Off, and priority relay (24VDC @5mA). It shall feature phoenix style plug-in screw termination strips for pre-wire with capacity up to 14-gauge. It shall include a one-gang decorator style wall plate (stainless steel & white). Volume adjustment shall be controlled by a key lock.

OPTIONS: (order separately)

- KL-ANP2 Adaptor Plate: Two-gang stainless steel wall plate will retrofit a one-gang volume control to fit a two-gang box.
- P1X Surface-mount Box: One-gang steel box with white powder epoxy finish.
- D8P-ID-3 Rack Panel: 19" x 3U panel holds up to eight decorator style volume controls. (Mounting the subplate only, the outer wall plate is not used). Panel features a rear lacing flange and pocket-style window to hold a paper label.

KL100-PA Series Attenuator Summary

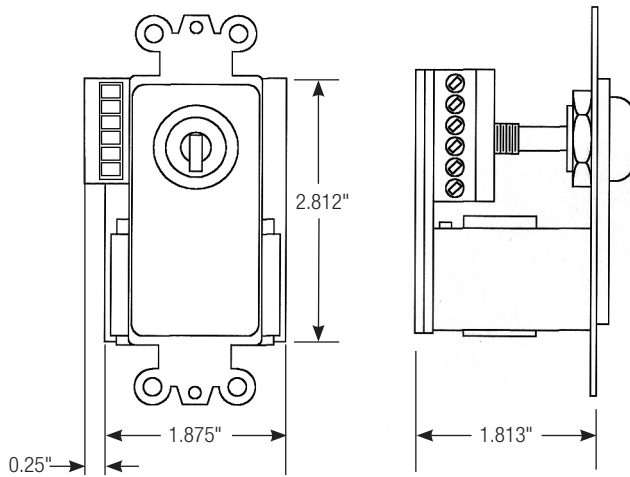
Model No.	Power Rating	Attenuation *	Type	Switch	Style	Color	For Use With
KL100-PA-DSB	100W	3dB steps	Priority-trans	Key	Decorator Wall Plate	SS & Black	25V/70V/100V Speaker Line
KL100-PA-DSW	100W	3dB steps	Priority-trans	Key	Decorator Wall Plate	SS & White	25V/70V/100V Speaker Line

This spec

* 33dB total; two steps of 6dB each before off



KL100-PA Series volume controls are designed to mount to most standard recessed E.O. boxes with minimum opening of 2.50"W x 2.812"H x 2.125"D, or Lowell one-gang surface-mount box model P1X.



Wiring & Schematics: KL100-PA Series volume controls (with priority paging feature).

