



Mono autoformer attenuator volume control provides precise level adjustment of single or multiple speaker lines.

### FEATURES:

- Mono autoformer attenuator with rotary switch for use with (70V/100V) single or multiple speaker lines
- 200W power rating
- Switch positions Off-10
- 3dB per step attenuation (33dB total, two steps of 6dB each before off)
- Phoenix style plug-in screw termination strips for pre-wire convenience
- Wire capacity to 14 gauge
- Includes control assembly (2.63" x 2.25" x 2.50"), knob, and decorator style subplate.
- ETL Listed

### A&E SPECIFICATIONS:

The ETL Listed 200W volume control shall be Lowell model 200LVC-RMDB, which shall feature 3dB per step attenuation with two positions of 6dB before "off." The volume control shall have plug-in termination for up to 14-gauge wire for 70V or 100V input connections (from an amplifier), and 70V or 100V output (to a speaker/transformer assembly). The VC shall include a black rotary knob and decorator style subplate.

### OPTIONS: (order separately)

- D8P-ID-3: 19"W x 3U rackmount panel with Pocket-ID window for labels, accepts up to four 200LVC-RMDB volume controls mounted in alternate positions. This allows 1.625" space between contols, which can be used for narrower, decorator style devices.
- D9P-ID-3: 19"W x 3U rackmount panel with Pocket-ID window for labels, accepts up to five 200LVC-RMDB volume controls mounted in alternate positions. This allows 1.375" space between contols, which can be used for narrower, decorator style devices.

### 200LVC Series Attenuator Summary

Model No.	Power Rating	Attenuation *	Type	Switch	Style	Color	For Use With
200LVC	200W	3dB steps	Auto-trans	Rotary	Standard 2g Wall Plate	SS	70V/100V Speaker Line
200LVC-DSB	200W	3dB steps	Auto-trans	Rotary	Decorator 2g Wall Plate	SS & Black	70V/100V Speaker Line
200LVC-RM	200W	3dB steps	Auto-trans	Rotary	Adhesive Label **	Black	70V/100V Speaker Line
<b>200LVC-RMDB</b>	<b>200W</b>	<b>3dB steps</b>	<b>Auto-trans</b>	<b>Rotary</b>	<b>Decorator Subplate **</b>	<b>Black</b>	<b>70V/100V Speaker Line</b>

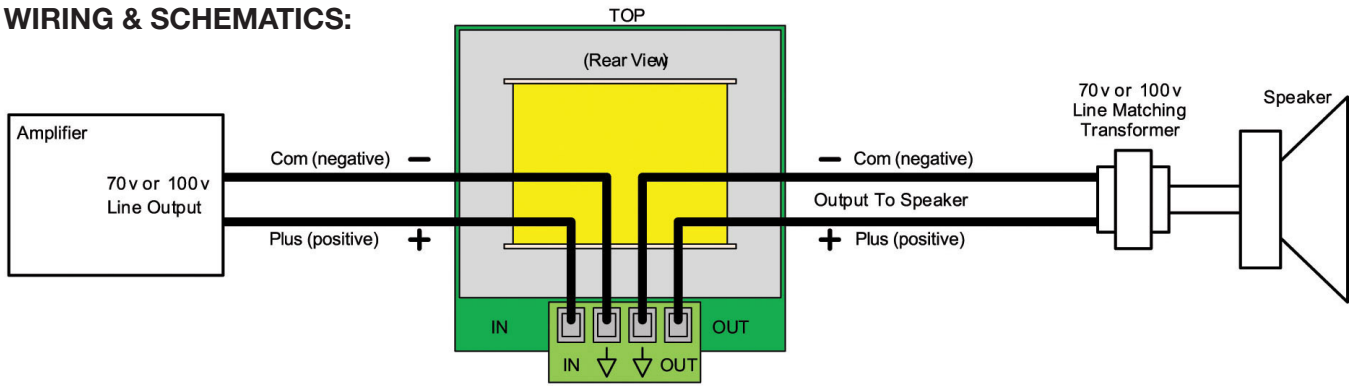
This spec

\* 33dB total; two steps of 6dB each before off

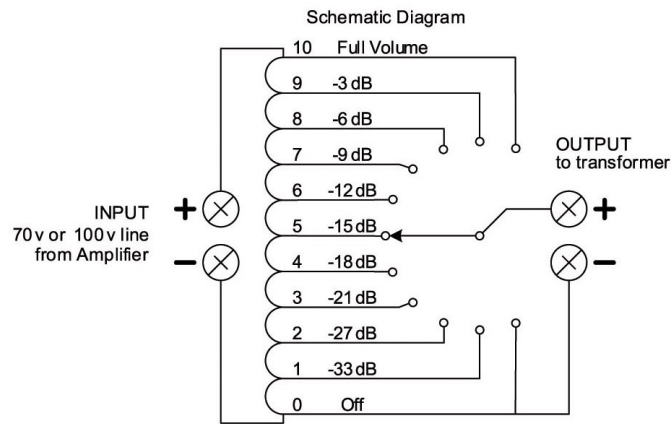
\*\* For rackmount panel



## WIRING & SCHEMATICS:



Note: Units manufactured before May 2014 had terminals located at the top. When connecting either version be sure to observe INPUT/OUTPUT and polarity designations.



## VC DIMENSIONS:

