

Volume control with adhesive dial scale for rackmount use provides precise level adjustment of single or multiple speaker lines.

FEATURES:

- Mono autoformer attenuator with rotary switch for use with 25V/70V/100V speaker line
- 100W power rating
- Switch positions Off–10
- 3dB per step attenuation (33dB total, two steps of 6dB each before off)
- Phoenix style plug-in screw termination strips for pre-wire convenience
- Wire capacity to 14 gauge
- Includes control assembly with knob, and an adhesive label with dial scale and plastic window for a paper label.
- ETL Listed
- Assembled in the U.S.A.

A&E SPECIFICATIONS:

The volume control shall be Lowell model 100LVC-RM, which shall have a 100W power rating and attenuation of 3dB per step with two steps of 6dB each before off. It shall include a rotary knob and an adhesive label with dial scale. The volume control shall be ETL Listed.

OPTIONS: (order separately)

- LVC8P-ID-2: 19" x 2U steel rackmount panel with eight punches to mount standard controls. Panel includes printing for volume levels so adhesive labels (included with some controls) are not needed.
- SEP-2: 19" x 2U steel rackmount panel can be field-punched to mount various controls.

100LVC Series Attenuator Summary†

Model No.	Power Rating	Attenuation *	Type	Switch	Style	Color	For Use With
100LVC	100W	3dB steps	Auto-trans	Rotary	Standard Wall Plate	SS	25V/70V/100V Speaker Line
100LVC-SA	100W	3dB steps	Auto-trans	Rotary	Standard Wall Plate	Almond	25V/70V/100V Speaker Line
100LVC-SW	100W	3dB steps	Auto-trans	Rotary	Standard Wall Plate	White	25V/70V/100V Speaker Line
100LVC-DA	100W	3dB steps	Auto-trans	Rotary	Decorator Wall Plate	Almond	25V/70V/100V Speaker Line
100LVC-DB	100W	3dB steps	Auto-trans	Rotary	Decorator Wall Plate	Black	25V/70V/100V Speaker Line
100LVC-DW	100W	3dB steps	Auto-trans	Rotary	Decorator Wall Plate	White	25V/70V/100V Speaker Line
100LVC-DSB	100W	3dB steps	Auto-trans	Rotary	Decorator Wall Plate	SS & Black	25V/70V/100V Speaker Line
100LVC-DSW	100W	3dB steps	Auto-trans	Rotary	Decorator Wall Plate	SS & White	25V/70V/100V Speaker Line
100LVC-RM	100W	3dB steps	Auto-trans	Rotary	Adhesive Label **	Black	25V/70V/100V Speaker Line

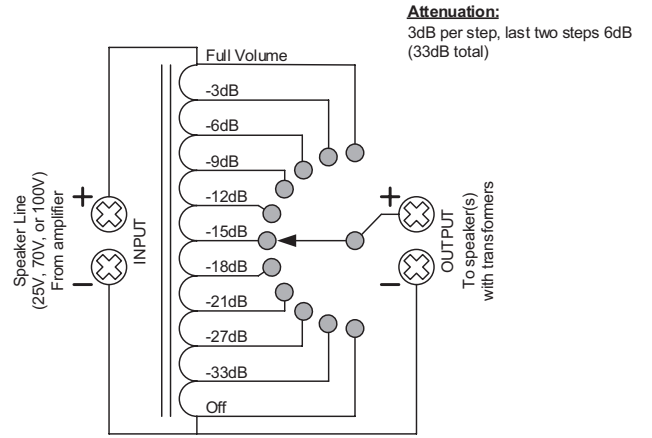
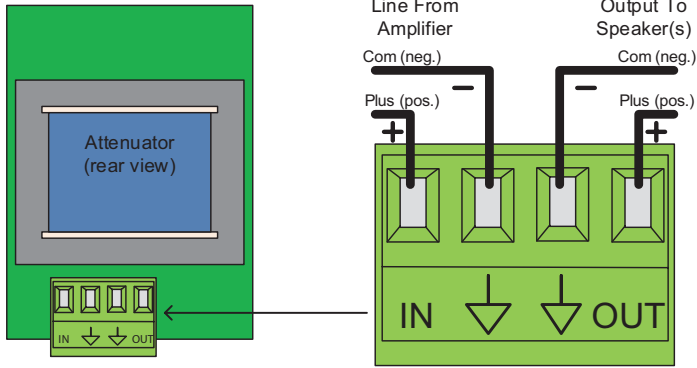
This spec

† Note: There is also a 100LVC-PA Series, which includes a priority relay.

* 33dB total; two steps of 6dB each before off

** For rackmount panel





Attenuation:
 3dB per step, last two steps 6dB
 (33dB total)

