

Volume control with standard wall plate provides precise level adjustment of single or multiple speaker lines.

FEATURES:

- Mono autoformer attenuator with rotary switch for use with 25V/70V/100V speaker line
- 25W power rating
- 3dB per step attenuation (33dB total, two steps of 6dB each before off)
- Phoenix style plug-in screw termination strips for pre-wire convenience
- Wire capacity to 14 gauge
- Standard one-gang white wall plate (2.75" x 4.5"), with printing
- Rotary switch, non-continuous rotation — Off-max (10)
- Designed to fit a standard one-gang E.O. box with minimum depth of 2.125" (box not included)
- ETL Listed
- Assembled in the U.S.A. with global components

A&E SPECIFICATIONS:

The ETL Listed volume control shall be Lowell model 25LVC-SW, which shall have a 25W power rating and attenuation of 3dB per step with two steps of 6dB each before off. The volume control shall include a standard one-gang wall plate with white finish, and printing. The unit shall be able to mount in an E.O. box with minimum inside dimensions of 1.875" x 2.688" x 2.125".

OPTIONS: (order separately)

- P1X: One-gang steel surface box with knockouts and white finish. 4.625"H x 2.875"W x 2.5"D. Includes two U-clips.

25LVC Series Attenuator Summary

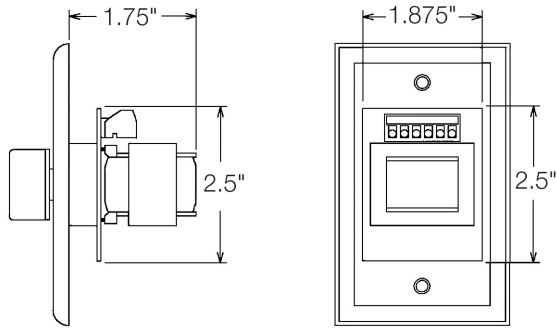
Model No.	Power Rating	Attenuation *	Type	Switch	Style	Color	For Use With
25LVC	25W	3dB steps	Auto-trans	Rotary	Standard Wall Plate	SS	25V/70V/100V Speaker Line
25LVC-SA	25W	3dB steps	Auto-trans	Rotary	Standard Wall Plate	Almond	25V/70V/100V Speaker Line
25LVC-SW	25W	3dB steps	Auto-trans	Rotary	Standard Wall Plate	White	25V/70V/100V Speaker Line
25LVC-DA	25W	3dB steps	Auto-trans	Rotary	Decorator Wall Plate	Almond	25V/70V/100V Speaker Line
25LVC-DB	25W	3dB steps	Auto-trans	Rotary	Decorator Wall Plate	Black	25V/70V/100V Speaker Line
25LVC-DW	25W	3dB steps	Auto-trans	Rotary	Decorator Wall Plate	White	25V/70V/100V Speaker Line
25LVC-DSB	25W	3dB steps	Auto-trans	Rotary	Decorator Wall Plate	SS / Black	25V/70V/100V Speaker Line
25LVC-DSW	25W	3dB steps	Auto-trans	Rotary	Decorator Wall Plate	SS / White	25V/70V/100V Speaker Line
25LVC-RM	25W	3dB steps	Auto-trans	Rotary	Adhesive Label **	Black	25V/70V/100V Speaker Line

* 33dB total; two steps of 6dB each before off

** For rackmount panel

This spec ▶





Mounts E.O. Boxes:

- 4" Sq. x 2.125"D with raised mud ring (RACO 232, 235, or equiv.)
- One-gang handy box 2.125"D (RACO 670, 671, 678, or equiv.)
- Lowell surface box (P1X)

