



Linear taper potentiometer control (10k ohm) for single-point remote level adjustment of voltage controlled amplifiers (VCA) is designed to interface directly with three-wire, 0 to 10 volt control inputs that are typical on most VCAs. The 10k ohm potentiometer allows the amplifier's control voltage to be set or adjusted from a single remote location.

### FEATURES:

- 10k ohm linear taper potentiometer control
- 1/2W power rating
- Provides level adjustment of voltage controlled amplifiers from a single remote location.
- Phoenix-style removable screw termination strips for prewire with capacity for 14-gauge wire.
- Continuous attenuation rotary control with stops at 0 and max., plus incremental detents for precision feel.
- Made in the U.S.A. with global components
- Includes:
  - White one-gang decorator style wall plate (2.75"W x 4.5"H)
  - Control assembly (1"W x 1.75"H x 1.25"D) mounted to white decorator-style subplate
  - Rotary knob

### A&E SPECIFICATIONS:

The potentiometer control shall be Lowell model 10KLVC-DW, which shall be a linear taper style potentiometer with 10,000 ohm (10k) resistance and 1/2W power rating. It shall be compatible with three wire 0-10 volt control inputs on voltage control amplifiers for level adjustment from a single remote location. Attenuation shall be continuously variable with stops at minimum and maximum levels. The control shall be mounted to a white decorator style subplate with printing (Volume, 0, max), and include a white decorator wall plate and knob.

### OPTIONS: (order separately)

- LVC8P-ID-2: 19" x 2U steel rackmount panel with eight punches to mount standard controls. Panel includes printing for volume levels so adhesive labels (included with some controls) are not needed.
- SEP-2: 19" x 2U steel rackmount panel can be field-punched to mount various controls.

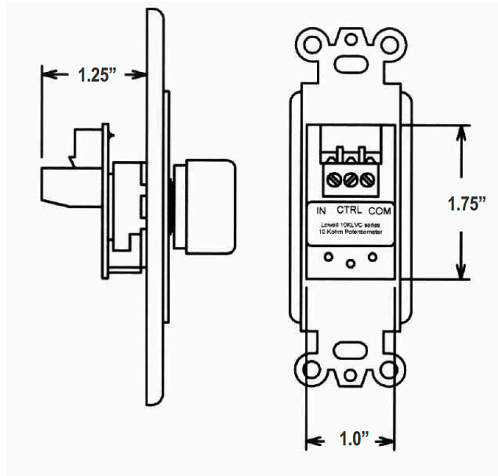
### Lowell 10KLVC Potentiometer Series Overview

| Model No.        | Resistance     | Taper         | Steps             | Style                       | Color        | For Use With             | Termination    |
|------------------|----------------|---------------|-------------------|-----------------------------|--------------|--------------------------|----------------|
| 10KLVC-DA        | 10k ohm        | Linear        | Continuous        | Decorator Wall Plate        | Almond       | VCA/Audio Circuit        | Phoenix        |
| 10KLVC-DB        | 10k ohm        | Linear        | Continuous        | Decorator Wall Plate        | Black        | VCA/Audio Circuit        | Phoenix        |
| <b>10KLVC-DW</b> | <b>10k ohm</b> | <b>Linear</b> | <b>Continuous</b> | <b>Decorator Wall Plate</b> | <b>White</b> | <b>VCA/Audio Circuit</b> | <b>Phoenix</b> |
| 10KLVC-DSW       | 10k ohm        | Linear        | Continuous        | Decorator Wall Plate        | SS/White     | VCA/Audio Circuit        | Phoenix        |
| 10KLVC-RM        | 10k ohm        | Linear        | Continuous        | Adhesive Label *            | Black        | VCA/Audio Circuit        | Phoenix        |

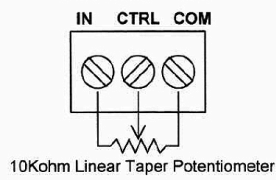
\* For rackmount panel

This spec ▶





Schematic Diagram



Typical Hook-up

