



Kit Includes:

- White U-bracket (for 6-1/2 inch speaker)
- Two adjustment knobs
- Two silicone spacers

DESCRIPTION:

Sturdy steel U-bracket with white finish is designed for use with a 6-1/2 inch speaker in Lowell's ESP Series.

FEATURES:

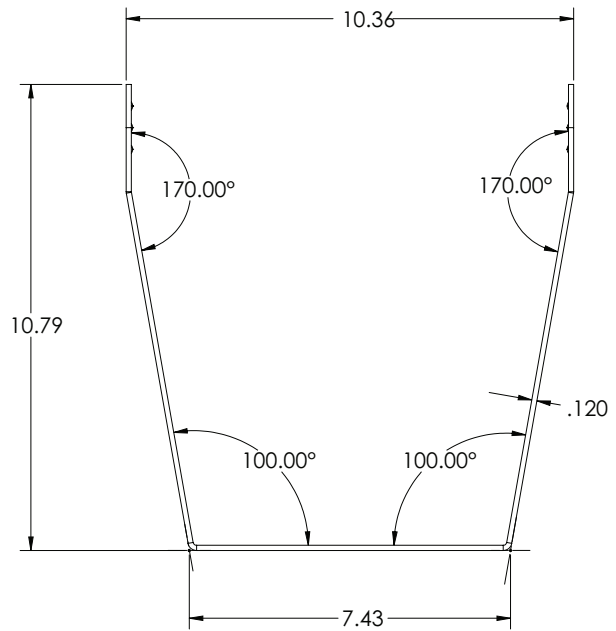
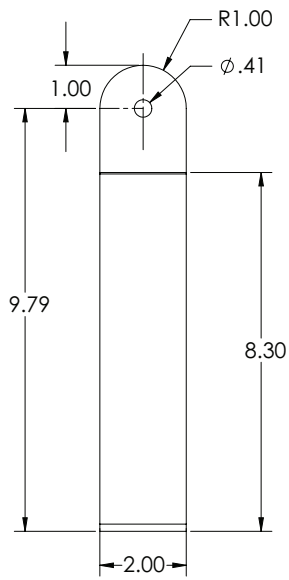
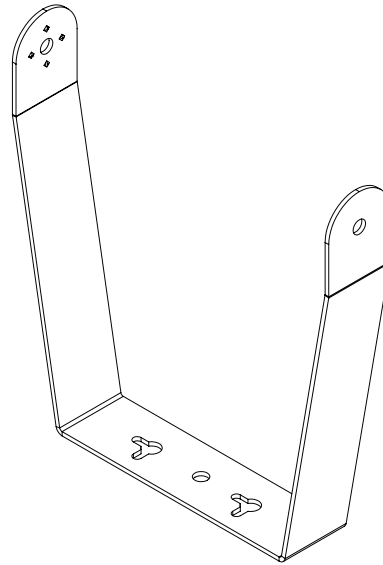
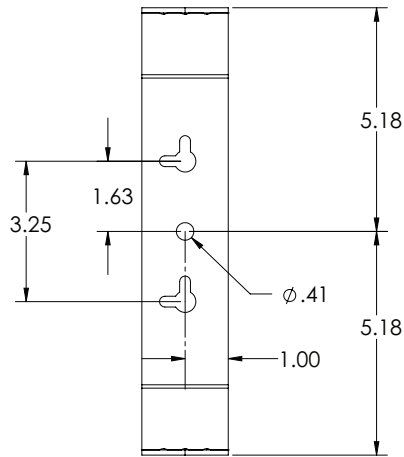
- 11-gauge CRS steel bracket with white powder epoxy finish
- Two adjustment knobs — used to screw the U-bracket to the ESP Series speaker at threaded insert points.
- Two silicone spacers (shore hardness 75A) with adhesive create a flat area on each side of the tapered enclosure, which allows the U-bracket to be mounted properly. Be sure to orient the spacers with the thickest part towards the top of the speaker (bracket area) and the thinnest part towards the grille.
- See installation sheet for more information.

INSTALLATION:

WARNING! *Pendant-mount speaker installation should only be performed by experienced qualified professionals with a complete working knowledge of load-rated hardware and safe installation, mounting, and rigging techniques. Improperly installed equipment can result in property damage, personal injury, death, and/or liability for the installing contractor. The speaker system must be mounted in accordance with all local, state, and federal building codes and regulations and the installation must conform to industry standard practices. It is the responsibility of the installer to properly select all installation hardware, rigging hardware, and safety or restraint cables to be used. BEFORE INSTALLATION, it is the responsibility of the installer to consult a licensed mechanical or structural engineer to evaluate and certify the structural integrity and safety of any mounting method and the suitability of that method to be used to mount the pendant loudspeaker to the building structure in this particular installation. All speaker rigging systems must be designed with a minimum of a 5X safety factor. Lowell Manufacturing Company is not responsible for the use, misuse, misapplication, or unsafe installation of any loudspeaker that it has manufactured.*

A&E SPECIFICATIONS:

The speaker shall be mounted with Lowell U-bracket model ESP-6-BRKTW, which shall be 11-gauge CRS steel with white powder epoxy finish. The bracket shall be made in the U.S.A. with certified U.S. steel. It shall include silicone spacers and white adjustment knobs.



Units are inches unless otherwise indicated.

