



Rear view



MADE IN U.S.A.
WITH GLOBAL
COMPONENTS

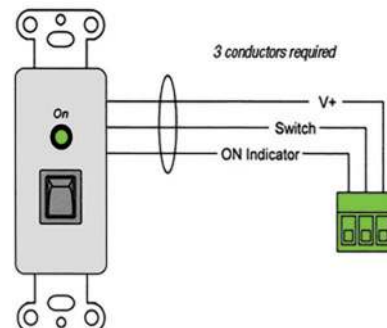
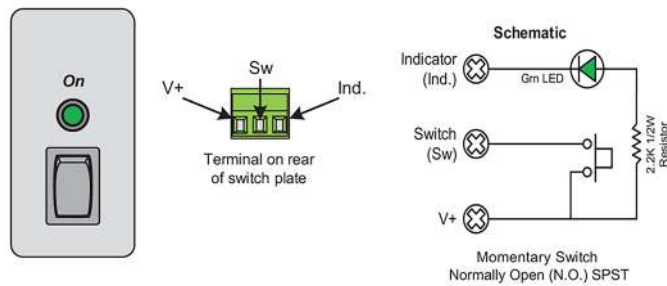
This switch requires 3 conductors and is compatible with the following Lowell models (order separately):

#MSM2	Momentary switch module
#SEQ-8	Sequencer
#SEQR-4	Sequencer
#SEQR-4K	Sequencer

features

- **Description:** Single pole single throw, low voltage switch with MOMENTARY closure, for applications that use multiple switches. The switch is connected to a sequencer (ordered separately) to activate equipment.
- **Closure:** Momentary closure
- **Activation:** Rocker switch
- **Status Indicator:** GREEN=ON.
The green LED lights when the unit is on. When used with a rackmount sequencer—the green LED will flash when the unit is powering up and light steadily when on.
- **Connections:** Rear connections are termination strips with wire capacity to 18 gauge.
- **Rackmount Panel:** The switch with black sub-plate is mounted in a 1U x 19"W rackmount panel, steel with black powder epoxy finish.
- **A&E Specifications:** The low voltage switch for remote activation of equipment shall be Lowell Model #RPSB-MR, which shall operate in conjunction with a sequencer (ordered separately). The switch shall feature momentary closure, rear connection termination strips with wire capacity to 18-gauge, and rocker activation switch. It shall be mounted in a 1U x 19"W steel rackmount panel with black powder epoxy finish.

typical wiring

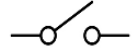


Maximum wire distances:
24-gauge: 20,000 ft. (approx. 3.5 miles)
22-gauge: 31,200 ft. (approx. 5.5 miles)
18-gauge: 76,800 ft. (approx. 13.5 miles)

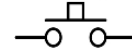
Understanding MAINTAINED vs. MOMENTARY Switches:

- Maintained Switch:** A switch with maintained closure stays in the position you select. When you turn it on, it stays on until you turn it off, and vice versa. An example would be a switch used for a ceiling light, which stays on until you flip the switch to the off position. Specify a maintained switch for applications that use only one switch to control the equipment.
- Momentary Switch:** A switch with momentary closure operates only as long as you press or hold it; the switch returns to its original position as soon as you stop. An example would be a switch for a doorbell, which continues to ring only while you press the switch. Specify momentary switches for applications that utilize more than one switch to control the equipment.

Maintained Switch Schematic Symbol:



Momentary Switch Schematic Symbol:



Lowell RPSB- and RPSW- Series Overview

Model No.	Closure	Activation	Mounting Style	Color	LED Indicators	RJ45 Connector
RPSB-P	Maintained	Rocker	Wall Plate	Black	1	-----
RPSB-P-RJ	Maintained	Rocker	Wall Plate	Black	1	1
RPSW-KP	Maintained	Key	Wall Plate	White	1	-----
RPSW-KP-RJ	Maintained	Key	Wall Plate	White	1	1
RPSW-P	Maintained	Rocker	Wall Plate	White	1	-----
RPSW-P-RJ	Maintained	Rocker	Wall Plate	White	1	1
RPSB-KP-ASM	Maintained	Key	Wall Plate	Black	1	-----
RPSB-KR	Maintained	Key	19" Rackmount Panel	Black	1	-----
RPSB-KR-RJ	Maintained	Key	19" Rackmount Panel	Black	1	1
RPSB-R	Maintained	Rocker	19" Rackmount Panel	Black	1	-----
RPSB-R-RJ	Maintained	Rocker	19" Rackmount Panel	Black	1	1
RPSB-MKP	Momentary	Key	Wall Plate	Black	1	-----
RPSB-MP	Momentary	Rocker	Wall Plate	Black	1	-----
RPSW-MKP	Momentary	Key	Wall Plate	White	1	-----
RPSW-MP	Momentary	Rocker	Wall Plate	White	1	-----
RPSB2-MKP	Momentary	Key	Wall Plate	Black	2	-----
RPSB2-MKP-RJ	Momentary	Key	Wall Plate	Black	2	1
RPSB2-MP	Momentary	Rocker	Wall Plate	Black	2	-----
RPSB2-MP-RJ	Momentary	Rocker	Wall Plate	Black	2	1
RPSW2-MKP	Momentary	Key	Wall Plate	White	2	-----
RPSW2-MKP-RJ	Momentary	Key	Wall Plate	White	2	1
RPSW2-MP	Momentary	Rocker	Wall Plate	White	2	-----
RPSW2-MP-RJ	Momentary	Rocker	Wall Plate	White	2	1
RPSB2-MKR	Momentary	Key	19" Rackmount Panel	Black	2	-----
RPSB2-MKR-RJ	Momentary	Key	19" Rackmount Panel	Black	2	1
RPSB2-MR	Momentary	Rocker	19" Rackmount Panel	Black	2	-----
RPSB2-MR-RJ	Momentary	Rocker	19" Rackmount Panel	Black	2	1
RPSB-MKR	Momentary	Key	19" Rackmount Panel	Black	1	-----
RPSB-MR	Momentary	Rocker	19" Rackmount Panel	Black	1	-----