

## Sound Masking Speaker #SM410A-BR

includes speaker, transformer, enclosure, grille, bridge rails for sound masking applications

In general, the purpose of a sound masking system is to provide for greater conversational privacy and productivity, in an open-office environment, by adding ambient noise and shaping the noise signal to mask speech. The noise signal is fed from a specially designed sound masking generator, and amplifier, to sound masking speakers. These speakers are typically positioned out-of-sight above ceiling tiles in plenum space, although speakers with white enclosures are sometimes used in open architecture truss type ceilings. Sound masking speakers, generators, and amplifiers are sold separately.



### Model #SM410A-BR:

- UL1480 General Signaling (USA)
- UL2043 Return Air Plenum Space
- CSA C22.2 No. 205-M1983 General Signaling (Canada)

### features.

- **Description:** Model #SM410A-BR ships assembled and ready-to-install. It features a 4" single cone driver, wired transformer, black steel enclosure with grille, and mounted bridge rails.
- **Features:**
  - **Driver w/transformer:** 4" 15W single cone driver (paper cone, 10oz. magnet, adaptor ring) and factory-wired 70V transformer. Primary taps: 0.25, 0.5, 1, 2, and 4W. An externally accessible rotary knob allows convenient tap selections, especially useful when balancing the masking speaker system. Selector switch includes "off" position.
  - **Enclosure w/grille:** The 760 cu.in. (11.625"H x 11.625"W x 5.625"D) steel backbox is acoustically lined with fiberglass and features externally accessible input leads, SG handibox cover with dual combination (3/4", 1/2") knockouts for flex conduit, and 1/2" Romex connector for installations without conduit. Perforated steel grille. Black powder epoxy finish.
  - **Bridge rails:** Factory-mounted bridge rails allow the speaker to be installed directly on the lay-in tile ceiling grid.

*Note: The masking speaker system must be mounted in accordance with local, state, and federal codes and regulations and industry standard practices.*

- **A&E Specifications:** The sound masking speaker assembly for suspended ceiling installations shall be Lowell Model #SM410A-BR, which shall include a 4" 15W single cone driver with factory-wired transformer mounted in a 760 cu.in. steel backbox with grille and externally accessible speaker leads. The wired transformer shall be 70V with primary taps at 0.25, 0.5, 1, 2, and 4W. The assembly shall include an externally accessible rotary switch to adjust tap selections and include an "off" position. Speaker leads shall exit through a strain relief clamp on a single gang handibox cover. Enclosure and grille shall have a black finish and include pre-mounted bridge rails. The speaker shall be made in the U.S.A. with certified U.S. steel and global components.

### SM Series Summary

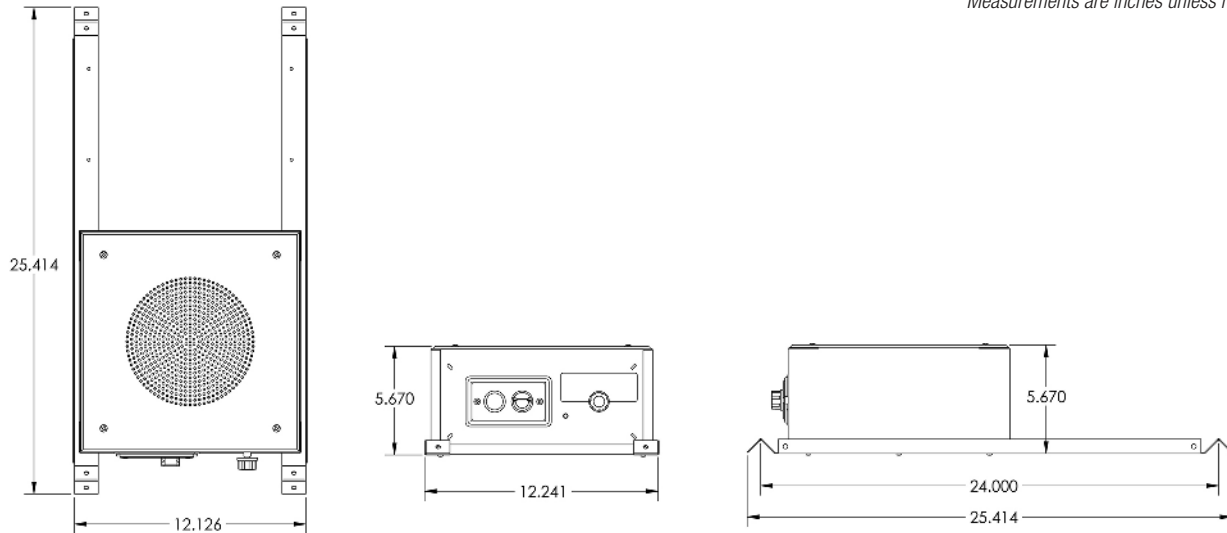
| Model No.   | Driver             | Transformer | Enclosure Size | Enclosure Style | Enclosure Color | Grille Color | Mtg. Aids               |
|-------------|--------------------|-------------|----------------|-----------------|-----------------|--------------|-------------------------|
| SM820A      | 8" 50W coaxial     | 70V 4W      | 760 cu.in.     | Square          | Black           | Black        | Hangers, S-hooks, chain |
| SM820A-BR   | 8" 50W coaxial     | 70V 4W      | 760 cu.in.     | Square          | Black           | Black        | Bridge rails            |
| SM810A      | 8" 15W dual cone   | 70V 4W      | 760 cu.in.     | Square          | Black           | Black        | Hangers, S-hooks, chain |
| SM810AW     | 8" 15W dual cone   | 70V 4W      | 760 cu.in.     | Square          | White           | White        | Hangers, S-hooks, chain |
| SM810A-BR   | 8" 15W dual cone   | 70V 4W      | 760 cu.in.     | Square          | Black           | Black        | Bridge rails            |
| SM410A      | 4" 15W single cone | 70V 4W      | 760 cu.in.     | Square          | Black           | Black        | Hangers, S-hooks, chain |
| ▶ SM410A-BR | 4" 15W single cone | 70V 4W      | 760 cu.in.     | Square          | Black           | Black        | Bridge rails            |
| SM805A      | 8" 12W dual cone   | 70V 4W      | 325 cu.in.     | Round           | Black           | Black        | Hangers, S-hooks, chain |

*Note: Speakers with white enclosures or factory-mounted bridge rails are made to order. All square speaker assemblies feature pre-drilled pilot holes to allow field installation of bridge rails #SM-BR, which include 6 black sheet metal screws. If field-installing bridge rails, remove wire hangers to prevent rattling.*



### drawings

Measurements are inches unless noted otherwise.



**Code Note:** The masking speaker system must be mounted in accordance with local, state, and federal codes and regulations and industry standard practices. In some areas of the country, code may require that the masking speaker be physically attached to the ceiling grid. In that case, sheet metal screws (furnished by the installer) may be attached through holes provided in end caps of SM-BR bridge rails through the ceiling grid. In other areas, code may require seismic restraint cables be installed between the building structure and masking speaker. Holes are also provided in SM-BR rails to attach seismic restraint cables to the speaker assembly (restraint cables and hardware to be furnished by the installer).