



MADE IN THE USA



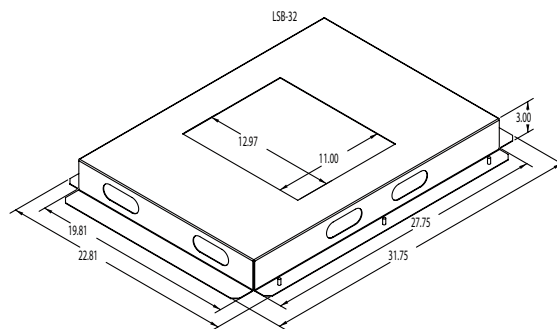
CERTIFIED US STEEL

features

- **Description:** Designed to mount inside a rack frame to provide a floor positioned flush to bottom rack space. Often specified to provide extra support for heavy equipment that is mounted in the lowest rack position.
- **Overall Height:** 3.00" [76]
- **Overall Depth:** 31.75" [806]
- **Overall Width:** 22.81" [579]
- **Construction:** Rugged 16-gauge, fully-welded, steel construction. Black wrinkle powder epoxy finish
- **Cable Management:** Easy cable access through center opening. Cable pass-through openings on back match up to openings on matching LER and LGR Series racks. Cable pass-through openings on sides match up to openings on matching LGR Series racks
- **Hardware:** Includes hardware for bolt-on installation
- **Origin:** Made in the USA
- For use with LER, LFR and LGR Series racks. *Do not use with seismic-certified racks.*
- Does not increase rack height.

a&e specifications

The stationary base for the rack shall be Lowell Model No. LSB-32. The stationary base shall mount inside the rack frame to add a floor positioned flush to bottom rack space and shall not increase rack height. Construction shall be 16-gauge welded steel with a black wrinkle powder epoxy finish. The base shall facilitate cable access through a center and side openings. 3.00"H x 31.75"D x 22.81"W overall dimensions



Model Summary

| Model No. | Description | Overall Width | Overall Depth | Overall Height | Center Opening | Weight |
|-----------|-------------------------------|-------------------|--------------------|----------------|------------------------------|----------------|
| LSB-22 | Stationary Base for 22"D rack | 22.81 in / 579 mm | 20.75 in / 527 mm | 3 in / 76 mm | 12.97 x 5 in / 329 x 127 mm | 20 lbs / 9 kg |
| LSB-27 | Stationary Base for 27"D rack | 22.81 in / 579 mm | 26.75 in / 679 mm | 3 in / 76 mm | 12.97 x 11 in / 329 x 279 mm | 24 lbs / 11 kg |
| ▶ LSB-32 | Stationary Base for 32"D rack | 22.81 in / 579 mm | 31.75 in / 806 mm | 3 in / 76 mm | 12.97 x 16 in / 329 x 406 mm | 27 lbs / 12 kg |
| LSB-36 | Stationary Base for 36"D rack | 22.81 in / 579 mm | 35.75 in / 908 mm | 3 in / 76 mm | 12.97 x 20 in / 329 x 508 mm | 34 lbs / 15 kg |
| LSB-42 | Stationary Base for 42"D rack | 22.81 in / 579 mm | 41.75 in / 1060 mm | 3 in / 76 mm | 12.97 x 26 in / 329 x 660 mm | 37 lbs / 17 kg |

One rack unit (RU or U) = 1.75 inches or 44.45 mm.

