



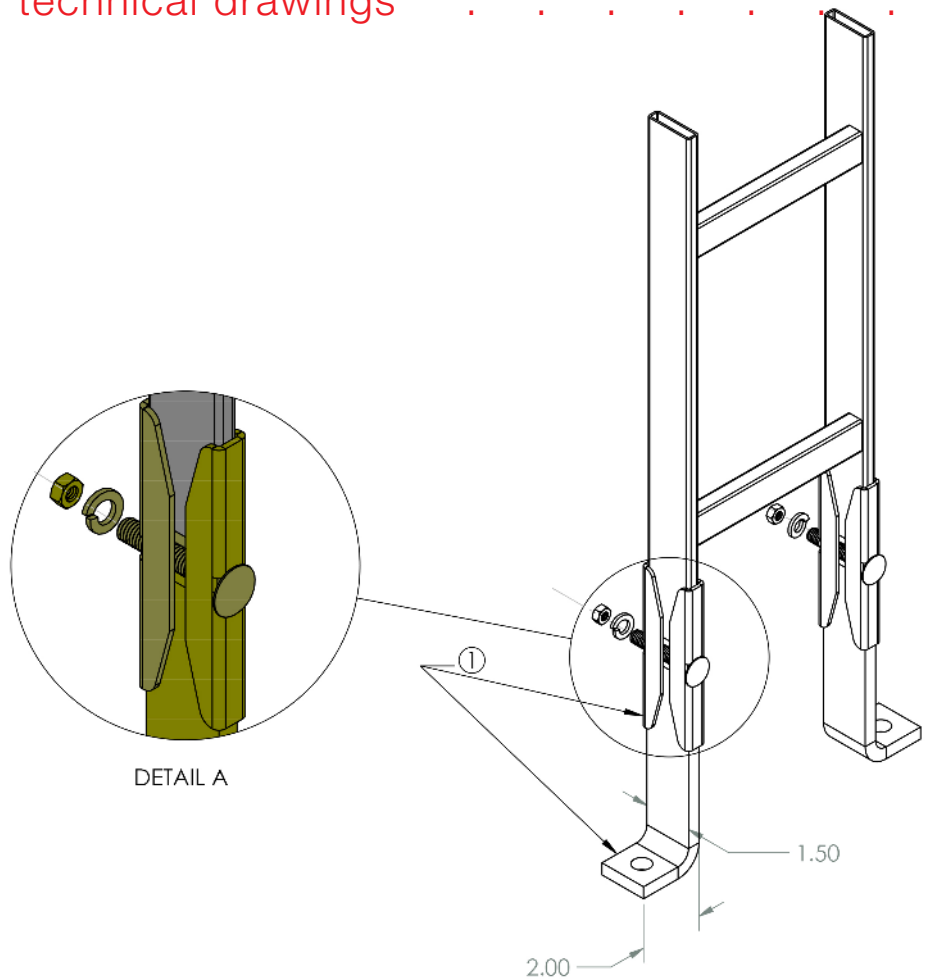
features

- **Description:** Floor-mount brackets are used to mount cable ladders to the floor. Each kit includes two floor-mount brackets and butt splice kits.
- **Construction:** High strength steel
- **Color:** Black
- **Standards:**
 - RoHS compliant components
 - Conforms to EIA-310

a&e specifications

The cable ladder shall include floor mount brackets, Lowell Model #CLH-FB. Brackets shall be high strength steel with black finish.

technical drawings



Cable ladder series summary

| Model No. | Description | Weight | Function |
|---|---|-----------|---|
| CABLE LADDERS & ACCESSORIES — 12" Wide | | | |
| CL-1210 | Straight ladder – 12"W x 10'L (approx.) | 24.47 lbs | Straight section |
| CL-12HT | Horizontal turn ladder – 12"W | 8.05 lbs | 90 degree turn with minimum cable bend radius |
| CL-12VT | Vertical turn ladder (I/O bend) – 12"W | 4.8 lbs | Changes direction of cable ladder |
| CLA-12RRP | Relay rack plate kit – 12"W | 3.12 lbs | Secures cable ladder to top of 3" channel relay rack** |
| CLA-12WA | Wall angle bracket – 12"W | 1.96 lbs | Provides perpendicular wall support for cable ladder |
| CLA-12WT | Wall triangle bracket – 12"W | 4.15 lbs | Provides wall support (400 lbs. static load) for cable ladder |
| CLA-12RD | Cable radius drop – 12"W | 1.90 lbs | Allows cable exit with proper bend radius |

CABLE LADDERS & ACCESSORIES — 18" Wide

| | | | |
|-----------|---|-----------|---|
| CL-1810 | Straight ladder – 18"W x 10'L (approx.) | 27.75 lbs | Straight section |
| CL-18HT | Horizontal turn ladder – 18"W | 10.50 lbs | 90 degree turn with minimum cable bend radius |
| CL-18VT | Vertical turn ladder (I/O bend) – 18"W | 5.6 lbs | Changes direction of cable ladder |
| CLA-18RRP | Relay rack plate kit – 18"W | 4.20 lbs | Secures cable ladder to top of 3" channel relay rack** |
| CLA-18WA | Wall angle bracket – 18"W | 2.70 lbs | Provides perpendicular wall support for cable ladder |
| CLA-18WT | Wall triangle bracket – 18"W | 5.92 lbs | Provides wall support (400 lbs. static load) for cable ladder |
| CLA-18RD | Cable radius drop – 18"W | 2.84 lbs | Allows cable exit with proper bend radius |

ADDITIONAL HARDWARE (not size specific)

Securing Ladder to Rack

| | | | |
|----------|---------------------------------|-----------|--|
| CLP-7 | Rack adaptor panel, 7U | 4 lbs | Mounts cable ladder to 7U opening in rack top |
| CLP-10 | Rack adaptor panel, 10U | 4 lbs | Mounts cable ladder to 10U opening in rack top |
| CLH-SK46 | Stand-off elevation kit (4"-6") | 12.00 lbs | Elevates cable ladder above rack (4" or 6") |
| CLH-JB3 | J-bolt kit, 5/16 x 3" | 0.31 lbs | Holds cable ladder to rack |

Securing Ladder to Wall, Floor, Ceiling

| | | | |
|---------|------------------------|----------|------------------------------------|
| CLH-VWB | Vertical wall brackets | 0.56 lbs | Anchors cable ladder to wall |
| CLH-CK | Ceiling-mount kit | 0.88 lbs | Suspends cable ladder from ceiling |
| CLH-FB | Floor-mount brackets | 3.22 lbs | Mounts cable ladder to floor |

Connecting Ladder Sections

| | | | |
|---------|-----------------------------------|----------|--|
| CLH-SKB | Butt splice kit | 0.47 lbs | Fastens cable ladder sections end-to-end |
| CLH-SKS | Swivel / adjustable splice kit | 1.90 lbs | Fastens cable ladder sections providing adjustable bend |
| CLH-SKT | T-junction bracket kit | 0.68 lbs | Fastens cable ladder sections at 90 degree intersection |
| CLH-SKA | Adjustable splice kit (special) * | 2.0 lbs | Fastens cable ladder sections creating horizontal intersection |

Misc. Protection

| | | | |
|---------|-----------------------|----------|--|
| CLH-GSK | Grounding strap kit | 0.25 lbs | Provides grounding across cable ladder |
| CLH-EC | Ladder end caps (1pr) | 0.35 lbs | Covers end of cable ladder |

*Installer may cut ladder ends at special angles to fit around an obstacle

**See Lowell LRR Series racks