

Volume control with key switch allows precise level adjustment of single or multiple speaker lines. Includes two-gang stainless steel wall plate with black subplate and key switch.

FEATURES:

- Mono autoformer attenuator with key switch for use with 25V/70V/100V speaker line*
- 200W power rating
- 3dB per step attenuation (33dB total, two steps of 6dB each before off)
- Phoenix style plug-in screw termination strips for pre-wire convenience
- Wire capacity to 14 gauge
- Decorator style two-gang wall plate (stainless steel and black)
- Key switch — Off-max (10)
- Designed to fit a two-gang E.O. box with minimum depth of 2.125" (box not included)
- ETL Listed
- Assembled in the U.S.A. with global components

A&E SPECIFICATIONS:

The ETL Listed 200W mono autoformer attenuator volume control shall be Lowell KL200-DSB. It shall feature 3dB per step attenuation with two positions of 6dB before off, and phoenix style plug-in screw termination strips for pre-wire with up to 14-gauge wire capacity. It shall include a two-gang decorator style wall plate (stainless steel and black). Volume adjustment shall be controlled by a key switch. The unit shall mount in a standard two-gang E.O. box with minimum depth of 2.125" (box to be ordered separately).

OPTIONS: (order separately)

- P1X-2: Two-gang surface-mount steel wall box with knockouts. White finish. Includes U-clips.

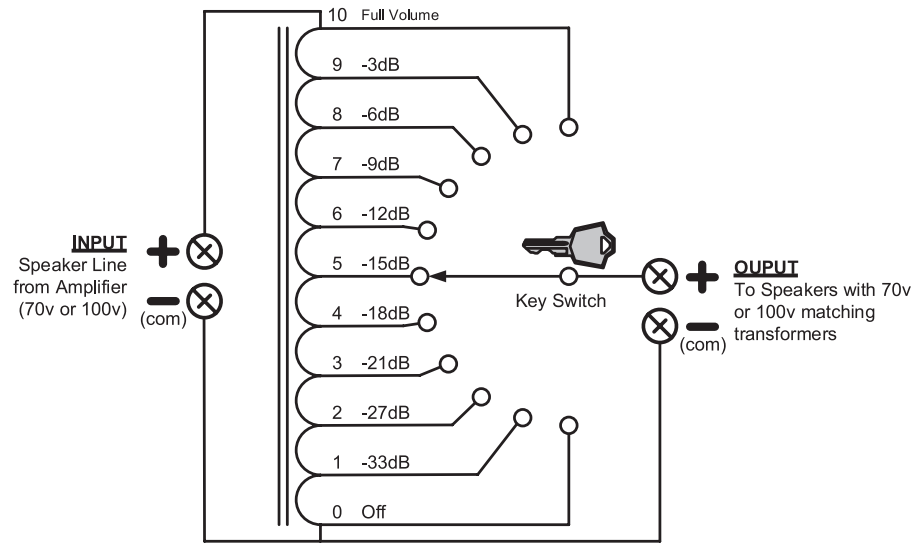
Model Summary

Model No.	Power Rating	Attenuation **	Type	Switch	Style	Color	For Use With
KL200-DSB	200W	3dB steps	Auto-trans	Key	Decorator Wall Plate	SS / Black	25V/70V/100V Speaker Line

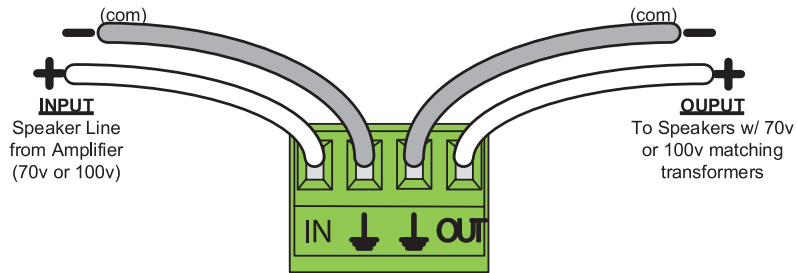
* Note: When used on 100V speaker lines (common in Europe and Asia) power rating is reduced by 50%.

** 33dB total; two steps of 6dB each before off





Schematic



Terminal Hook-up

