



Potentiometer control with 50 ohm impedance provides economical volume level adjustment in systems with low power circuits.

### FEATURES:

- 50 ohm impedance
- 5W audio power rating
- For use with 4, 8, or 16 ohm voice coil circuits
- Continuous attenuation with stops at minimum and maximum
- Includes:
  - Control mounted to one-gang standard stainless steel wall plate (2.75"W x 4.5"H) with stamped and filled dial scale
  - Fluted black knob
  - Mounting screws
- Assembled in the U.S.A. with global components

### A&E SPECIFICATIONS:

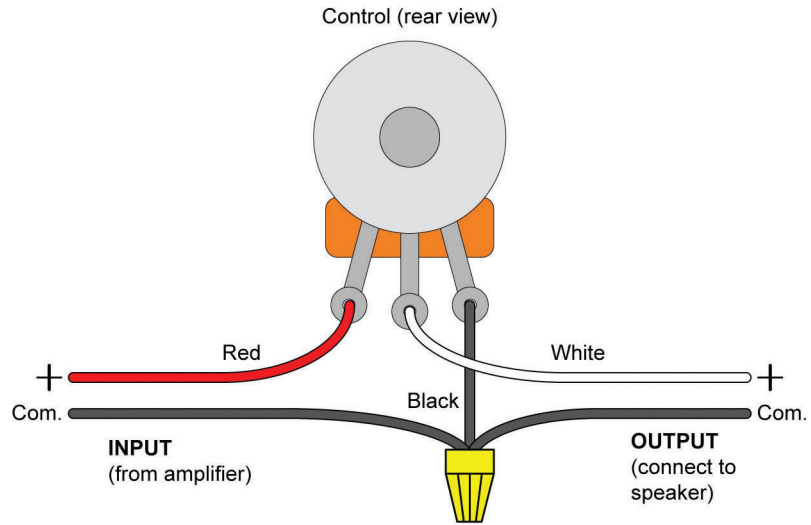
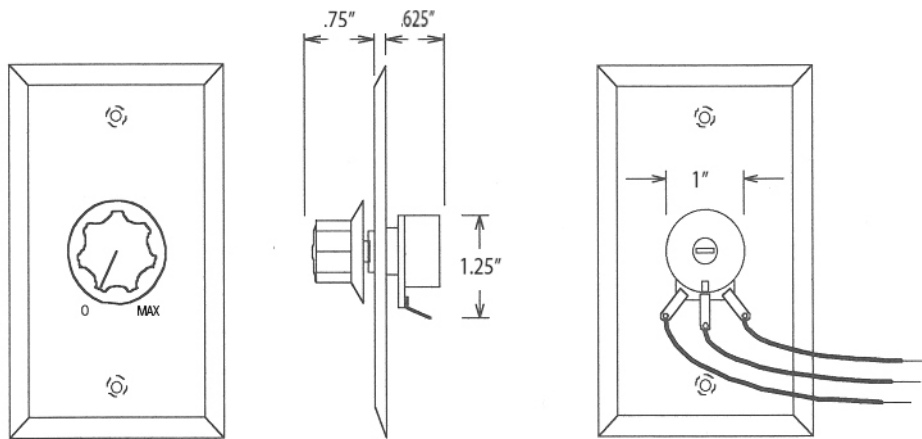
The potentiometer control with 50 ohm impedance shall be Lowell model LV-50S. It shall include a one-gang standard stainless steel wall plate with dial scale (0, max), fluted knob and mounting screws. It shall feature continuous attenuation with stops at minimum and maximum.

### Lowell LV-50S Potentiometer Series Overview

Model No.	Resistance	Power Rating	Steps	Style	Color	For Use With	Termination
<b>LV-50S</b>	<b>50 ohm</b>	<b>5W Audio</b>	<b>Continuous*</b>	<b>Standard Wall Plate</b>	<b>SS</b>	<b>Voice Coil</b>	<b>Pigtails</b>
LV-50S-RM	50 ohm	5W Audio	Continuous*	Adhesive Label**	Black	Voice Coil	Pigtails

\* With stops at min. and max.

\*\* For rackmount panel



End View  
PT-50S  
PT-5K

