

Volume control with wall plate provides precise level adjustment of single or multiple speaker lines.

### FEATURES:

- Mono autoformer attenuator with rotary switch for use with 25V/70V/100V speaker line
- 100W power rating
- 3dB per step attenuation (33dB total, two steps of 6dB each before off)
- Phoenix style plug-in screw termination strips for pre-wire convenience
- Wire capacity to 14 gauge
- Standard one-gang stainless steel wall plate (2.75" x 4.5"), with printing
- Rotary switch, non-continuous rotation — Off-max (10)
- Designed to fit a standard one-gang E.O. box with minimum depth of 2.125" (box not included)
- ETL Listed
- Assembled in the U.S.A. with global components

### A&E SPECIFICATIONS:

The ETL Listed volume control shall be Lowell model 100LVC, which shall have a 100W power rating and attenuation of 3dB per step with two steps of 6dB each before off. The volume control with rotary knob shall feature a standard one-gang stainless steel wall plate (2.75" x 4.5") with printing. The device shall be able to mount in an E.O. box with minimum inside dimensions of 1.875"W x 2.688"H x 2.125"D (not included).

### OPTIONS: (order separately)

- P1X: One-gang steel surface box with knockouts and white finish. 4.625"H x 2.875"W x 2.5"D. Includes two U-clips.

### 100LVC Series Attenuator Summary†

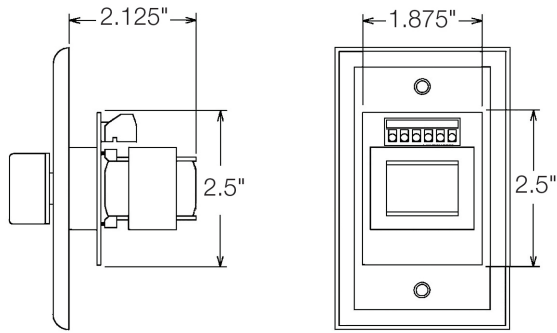
| Model No.     | Power Rating | Attenuation *    | Type              | Switch        | Style                      | Color      | For Use With                     |
|---------------|--------------|------------------|-------------------|---------------|----------------------------|------------|----------------------------------|
| <b>100LVC</b> | <b>100W</b>  | <b>3dB steps</b> | <b>Auto-trans</b> | <b>Rotary</b> | <b>Standard Wall Plate</b> | <b>SS</b>  | <b>25V/70V/100V Speaker Line</b> |
| 100LVC-SA     | 100W         | 3dB steps        | Auto-trans        | Rotary        | Standard Wall Plate        | Almond     | 25V/70V/100V Speaker Line        |
| 100LVC-SW     | 100W         | 3dB steps        | Auto-trans        | Rotary        | Standard Wall Plate        | White      | 25V/70V/100V Speaker Line        |
| 100LVC-DA     | 100W         | 3dB steps        | Auto-trans        | Rotary        | Decorator Wall Plate       | Almond     | 25V/70V/100V Speaker Line        |
| 100LVC-DB     | 100W         | 3dB steps        | Auto-trans        | Rotary        | Decorator Wall Plate       | Black      | 25V/70V/100V Speaker Line        |
| 100LVC-DW     | 100W         | 3dB steps        | Auto-trans        | Rotary        | Decorator Wall Plate       | White      | 25V/70V/100V Speaker Line        |
| 100LVC-DSB    | 100W         | 3dB steps        | Auto-trans        | Rotary        | Decorator Wall Plate       | SS & Black | 25V/70V/100V Speaker Line        |
| 100LVC-DSW    | 100W         | 3dB steps        | Auto-trans        | Rotary        | Decorator Wall Plate       | SS & White | 25V/70V/100V Speaker Line        |
| 100LVC-RM     | 100W         | 3dB steps        | Auto-trans        | Rotary        | Adhesive Label **          | Black      | 25V/70V/100V Speaker Line        |

† Note: There is also a 100LVC-PA Series, which includes a priority relay.

\* 33dB total; two steps of 6dB each before off

\*\* For rackmount panel





Mounts E.O. Boxes:

- Lowell surface box (P1X)
- 4" Sq. x 2.125"D with raised mud ring (RACO 232, 235, or equiv.)
- One-gang handy box 2.125"D (RACO 670, 671, 678, or equiv.)

**Note:** Lowell 100W LVC volume controls are deeper than other other LVC models so a one-gang handy box will allow only minimal room for control and wiring.

