

Mono autoformer attenuator volume control provides precise level adjustment of single or multiple speaker lines.

FEATURES:

- Mono autoformer attenuator with rotary switch for use with (70V/100V) single or multiple speaker lines
- 200W power rating
- 3dB per step attenuation (33dB total, two steps of 6dB each before off)
- Phoenix style plug-in screw termination strips for pre-wire convenience
- Wire capacity to 14 gauge
- Two-gang stainless steel wall plate with printing
- Rotary switch — 0-max (10)
- Designed to fit a standard one-gang E.O. box with minimum depth of 2.5" including mud ring, if used (box not included)
- ETL Listed

A&E SPECIFICATIONS:

The ETL Listed 200W mono autoformer attenuator volume control shall be Lowell model 200LVC, which shall feature 3dB per step attenuation with two positions of 6dB before "off." The volume control shall have plug-in termination for up to 14-gauge wire for 70V or 100V input connections (from an amplifier), and 70V or 100V output (to a speaker/transformer assembly). The VC shall include a black rotary knob and a two-gang stainless steel wall plate.

OPTIONS: (order separately)

- P1X-2: Two-gang steel surface box with knockouts, white finish. 4.625"H x 4.625"W x 2.5"D. Includes U-clips.

200LVC Series Attenuator Summary

This spec

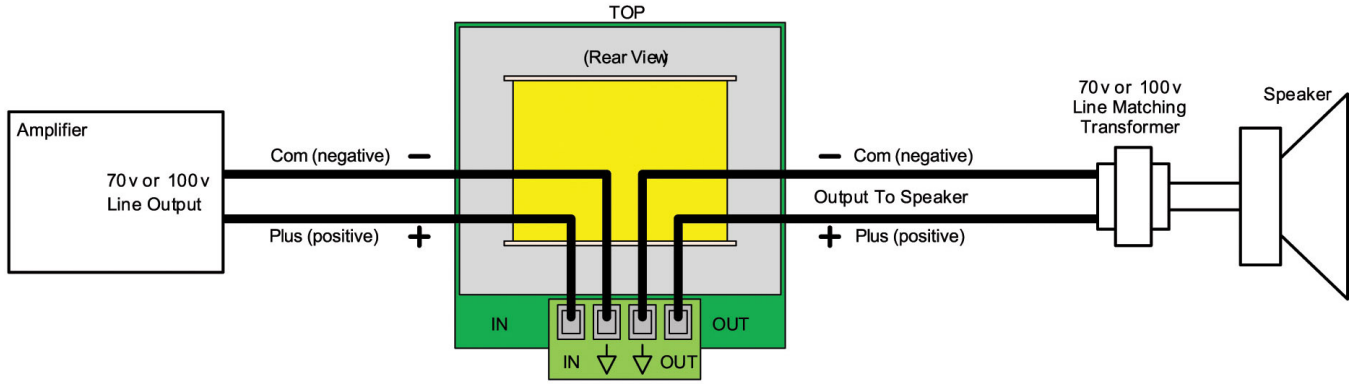
Model No.	Power Rating	Attenuation *	Type	Switch	Style	Color	For Use With
200LVC	200W	3dB steps	Auto-trans	Rotary	Standard 2g Wall Plate	SS	70V/100V Speaker Line
200LVC-DSB	200W	3dB steps	Auto-trans	Rotary	Decorator 2g Wall Plate	SS & Black	70V/100V Speaker Line
200LVC-RM	200W	3dB steps	Auto-trans	Rotary	Adhesive Label **	Black	70V/100V Speaker Line
200LVC-RMDB	200W	3dB steps	Auto-trans	Rotary	Decorator Subplate **	Black	70V/100V Speaker Line

* 33dB total; two steps of 6dB each before off

** For rackmount panel



WIRING & SCHEMATICS:



Note: Units manufactured before May 2014 had terminals located at the top. When connecting either version be sure to observe INPUT/OUTPUT and polarity designations.

