
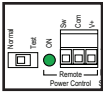




features

- **Description:** Lowell's Advanced Surge Suppression provides multiple layers of protection for equipment on a single circuit. With TCR technology (Triple Clamping Redundancy), these advanced devices can protect sensitive equipment from harmful power surges and spikes up to 72,000A, when fully active.
- **LED Status Indicators (3):** Each LED lights when protection is active for its associated stage (1, 2, or 3). An LED will not light if its associated stage is not functioning (alerting user to repair/replace the unit). 
- **No Ground Contamination:** Suppresses line to neutral with no ground wire contamination.
- **Low-profile Chassis:** 1.75" x 6" x 9"
- **Convenient Access:** Patented* outlet plate can be rotated 90° for front or side access to outlets, making it easier to accommodate unwieldy power cords.
- **Mounting Aids:** Universal mounting brackets mount the SPD to a wall, under a counter, or inside a rack.
- **Approvals:** ETL Listed (conforms to UL1449-4). ANSI C62.41 Compliant.
- **Warranty:** 10 year limited factory warranty.**
- **Model #ACSP-2002-RPC:**
 - RPC Remote Power Control: This unit can be controlled by a low-voltage sequencer, switch or control system that provides a maintained dry contact closure (order separately). 
 - Two (2) NEMA 5-15R outlets
 - 6 ft. cord with NEMA 5-15P plug

a&e specifications

The 15A single-circuit surge protector shall be Lowell model ACSP-1502-RPC with two single outlets. It shall protect the line to neutral without ground wire contamination. It shall be capable of protecting electronic equipment from transient voltages, spikes and surges up to 72,000A and have a response time of less than 5 nano-seconds. It shall include mounting brackets and two 15A outlets mounted on a plate that can be rotated 90° for front or side access. It shall include LED status indicators. It shall include remote power control capability (by low-voltage sequencer, switch or control system that provides a maintained dry contact closure, not included). It shall be ETL Listed and conform to UL1449-4 and ANSI C62.41

* U.S. Patent No. D535178S

** 10 year warranty limited to repair or replacement of unit at manufacturer's option (original purchaser only).

ACSP Series Summary

Model No.	Amperage	Outlets	Termination	VTE Over/Under Voltage Protection	RPC Remote Power Control Circuitry	Limited Warranty
ACSP-1502-VTE	15A	(2) NEMA 5-15R	6' detachable cord	Yes	---	10 years
ACSP-2002-VTE	20A	(2) NEMA 5-20R	6' cord	Yes	---	10 years
▶ ACSP-1502-RPC	15A	(2) NEMA 5-15R	6' detachable cord	---	Yes	10 years
ACSP-2002-RPC	20A	(2) NEMA 5-20R	6' cord	---	Yes	10 years
ACSP-2002-RPC-HW	20A	(2) NEMA 5-20R	6' flexible conduit	---	Yes	10 years



MECHANICAL SPECIFICATIONS:

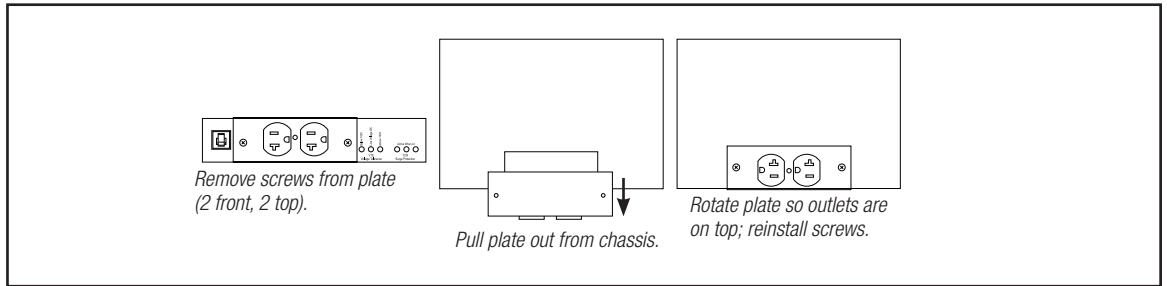
- Dimensions 9"W x 1.75"H x 6"D
- Weight 5 lbs.
- Input Connections Detachable IEC cord with NEMA 5-15P plug
- Output Connections..... (2) single 15A receptacles mounted on 90° rotatable plate
- Chassis Steel with black powder epoxy finish
- Mounting..... (2) brackets

PERFORMANCE SPECIFICATIONS:

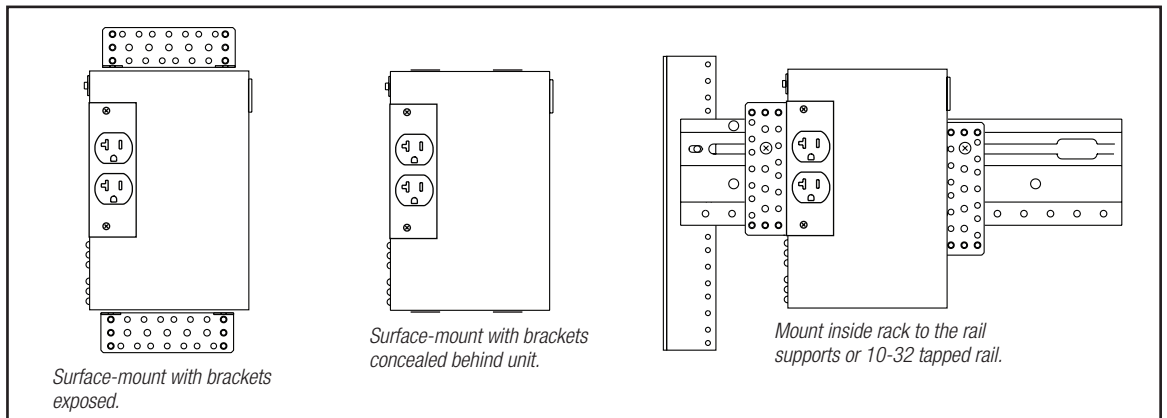
- Operating Voltage/Current 120VAC / 15A, 60Hz
- Maximum Surge Current 72,000A (exceeds UL1449-4 6000V, 3000A)
- Initial Clamping Voltage 205V, UL rating 400V
- Endurance..... IEEE C62.41-1991, B3 (C1), Pulses (lifetime): 1kv≥1,000,000; 3kv≥100,000; 6kv≥5000
- Transient Noise Reduction 29dB@100kHz, 70dB@1MHz
- Response Time Less than 5 nanoseconds
- Operating Temperature..... 25°C (77°F) nominal
- Protection Mode Line to neutral, zero ground leakage
- UL1449-2 Adjunct Results..... 1000 surges, 6000 volts, 3000A, C1, and B3 waveforms (IEEE C62.41), NO FAILURES
- Federal GSA specs (1996) Grade A, Class 1, Mode 1
- Diagnostic LEDs (surge)** One green LED for each stage. All stages active when all lit.
- Applicable Standards Conforms to UL1449-4, IEEE standard 587-80 A & B, IEEE standard C62.41-1991, IEC 1000-4-5-1995 (IEC 801-5).
- Safety Agency Approvals..... ETL Listed US and Canada

*** TCR surge suppression technology provides the assurance of Grade A, Class 1, Mode 1 endurance and performance with visual diagnostic LEDs. Three stage SPD (surge protective device) has a green LED indicator for each stage to show on-line status. If one stage goes off-line, remaining stages still provide protection at the same clamping level. In the unlikely event that one or more stages goes off-line, contact Lowell for repair or replacement under the unit's 10 year warranty.*

ACCESSIBLE OUTLETS: Rotating the Outlet Plate.

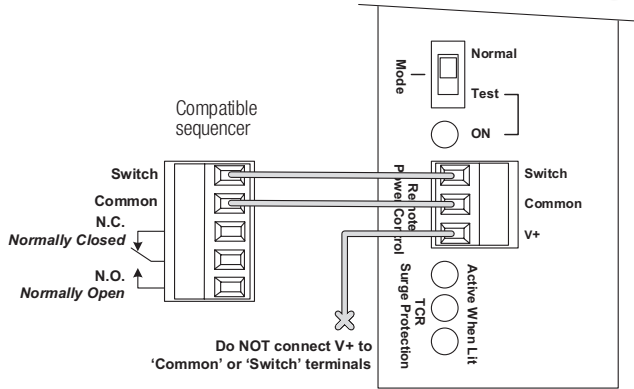


MOUNTING BRACKETS:



REMOTE POWER CONTROL: Options

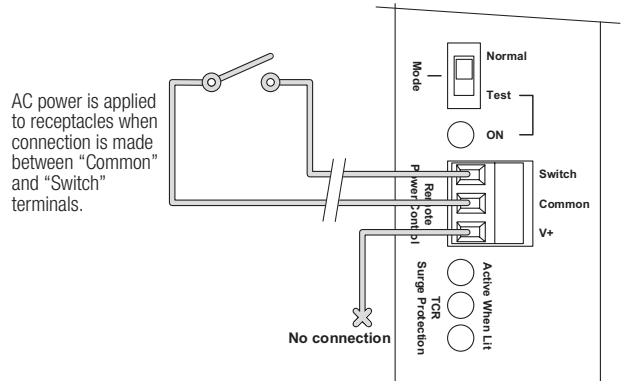
REMOTE POWER CONTROL using Lowell (classic) sequencer *



* NOTE: This unit is only compatible with a sequencer from the Classic Connection series. It is not compatible with Pass-through sequencers.

For additional control connections, see the FAQ page on the website (www.Lowellmfg.com/Resources). Power Question P3

REMOTE POWER CONTROL using a switch or control system (by others) that provides a maintained dry contact closure.



REMOTE POWER CONTROL using Lowell RPS Series switches

