

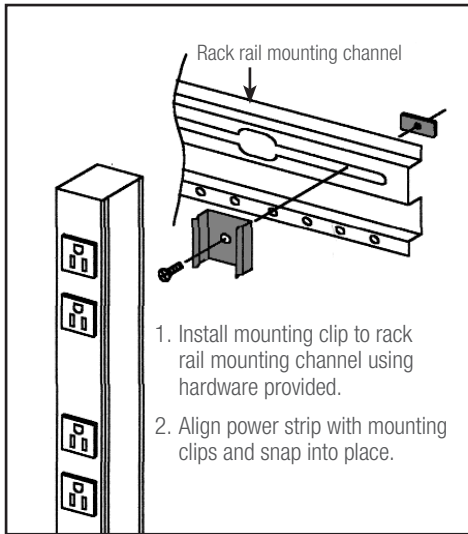
Compact power strip features six NEMA 15A receptacles in a low profile chassis, basic surge suppression with LED status indicator, and an attached power cord.

FEATURES:

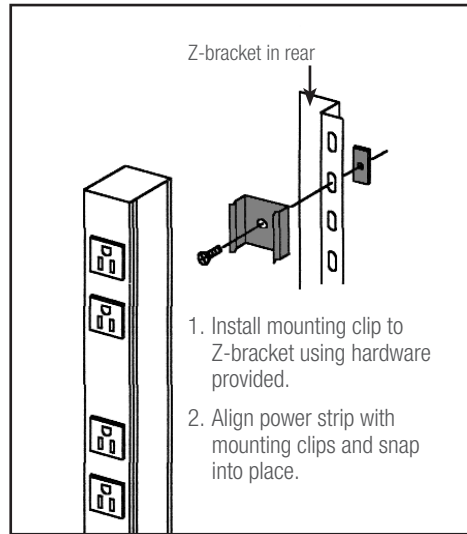
- **Power Rating:** 120VAC, 60Hz, 15A
- **Chassis:** 20" x 1.625" x 1.375" steel chassis with black powder epoxy finish
- **Termination:** 6-ft. attached (non-removable) power cord with NEMA 5-15P molded plug
- **Receptacles:** Total of six (6) single NEMA 5-15R receptacles, spaced to allow room for some power supplies (wall warts).
- **Surge Suppression:** Common mode transient voltage surge suppression (UL 1449-3 Listed) with 15A circuit breaker:
 - LED indicator is lit when protection is active
 - Maximum surge current: 6500A (L-G, L-N, N-G)
 - Maximum surge voltage: 6000V
 - Suppressed voltage rating: 400V
 - Energy dissipation: 450 Joules (8 x 20us waveform)
 - Lines protected: L-G, L-N, N-G
 - Response time: Less than one (1) nanosecond
 - Noise filtering: EMI / RFI
- **Mounting Hardware:** Clips and screws are provided for vertical installation in a rack that has adjustable or fixed rails. Includes cable ties to secure power supplies when the strip is mounted vertically.
- **Certification:** UL Listed
- **Origin:** China
- **A&E Specifications:** The UL Listed power strip shall be Lowell model ACS-1506, which shall have a power rating of 120VAC, 60Hz, 15A and include a circuit breaker. It shall feature six NEMA 5-15R single receptacles spaced to accommodate some power supplies. The unit shall include common mode transient voltage surge suppression with an LED indicator that is lit when protection is active. It shall have a suppressed voltage rating of 400V with maximum surge voltage of 6000V and maximum surge current of 6500A. Termination shall be via a six-foot attached cord with molded plug. The power strip shall include mounting clips/screws, and cable ties.



INSTALLATION: Use the mounting clip and hardware to mount to a rack.



Rack with adjustable rails



Rack with fixed rails and Z-bracket

ACS Series Power Strips (overview)

Model No.	Power Rating	NEMA Receptacles	Circuits	Chassis Length	Chassis Profile	Termination	On/Off Switch	Surge Suppression	Remote Power Control	Mounting Aids	Country of Origin
ACS-1505-SW	15A	5 (15A)	1	12"	Standard	6' Det. cord	Yes	---	---	Brackets	U.S.
ACS-1505-SW-SD	15A	5 (15A)	1	12"	Standard	6' Det. cord	Yes	2-stage	---	Brackets	U.S.
ACS-1506	15A	6 (15A)	1	20"	Low	6' Fixed cord	---	1-stage	---	Clips	China
ACS-1506-WW	15A	6 (15A)	1	12"	Low	6' Fixed cord	---	---	---	Screws	U.S.
ACS-1507	15A	7 (15A)	1	12"	Low	6' Det. cord	---	---	---	Screws	U.S.
ACS-1512	15A	12 (15A)	1	32"	Low	12' Fixed cord	---	1-stage	---	Clips	China
ACS-1524	15A	24 (15A)	1	60"	Low	12' Fixed cord	---	1-stage	---	Clips	China
ACS-1524-2C	15A	24 (15A)	2	70"	Low	Pigtail leads	---	---	---	Clips	China
ACS-2012	20A	8 (15A) + 4 (20A)	1	32"	Low	12' Fixed cord	---	1-stage	---	Clips	China
ACS-2024	20A	16 (15A) + 8 (20A)	1	70"	Low	12' Fixed cord	---	1-stage	---	Clips	China
ACS-2014-HW	20A	14 (20A)	1	30"	Standard	6' Conduit	---	---	---	Brackets	U.S.
ACS-2014-2C-HW	20A	8 (15A) + 6 (20A)	2	30"	Standard	6' Conduit	---	---	---	Brackets	U.S.
ACS-2020-6C-HW	20A	20 (20A)	6	60"	Standard	6' Conduit	---	---	---	Brackets	U.S.
ACS-2020-IG-6C-HW	20A	20 (I.G. 20A)	6	60"	Standard	6' Conduit	---	---	---	Brackets	U.S.
ACS-2020-IG-10C-HW	20A	20 (I.G. 20A)	10	60"	Standard	6' Conduit	---	---	---	Brackets	U.S.
ACS-2024-2C	20A	24 (20A)	2	70"	Low	Pigtail leads	---	---	---	Clips	China
ACS-1510-RPC	15A	10 (15A)	1	30"	Standard	6' Det. cord	---	---	Yes	Brackets	U.S.
ACS-2010-RPC-HW	20A	10 (20A)	1	30"	Standard	6' Conduit	---	---	Yes	Brackets	U.S.
ACS-2018-5C-RPC-HW	20A	18 (20A)	5	60"	Standard	6' Conduit	---	---	Yes	Brackets	U.S.
ACS-2018-5C-RPCP-HW	20A	18 (20A)	5	60"	Standard	6' Conduit	---	1-stage	Yes (P)	Brackets	U.S.

Chassis Profile = Standard profile (2" x 2"), Low profile (1.625" x 1.375")

Termination = Det. cord (detachable cord), Fixed cord (cord is attached—cannot be removed), Conduit (non-metallic flexible whip w/pigtail leads), Pigtail leads (leads at ends of chassis—no whip)

Switch = Yes (On/off rocker switch)

Surge Suppression = 1-stage (basic surge protection), 2-stage (surge protection with backup)

Remote Power Control = Some receptacles are controlled by a remote switch or sequencer (ordered separately); (P) indicates compatibility with Lowell P-Series pass-through sequencers.

Mounting Aids = Brackets (multi-hole brackets with hardware), Clips (clips and screws with wire tires), or Screws (power strips can mount to rear of US or USV Series shelves).

