

Universal input impedance matching transformer converts balanced and unbalanced low-Z telephone-type lines to Hi-Z amplifier signals, Hi-Z to low-Z and attenuates or “steps-down” 70V or 25V speaker lines to a line level signal suitable for remote amplifier input. This versatile accessory includes a phono jack and level control for field connection, if desired.

FEATURES:

- Step down 70- and 25-volt lines to feed amplifier inputs.
- Field-connectable level control and phono jack.
- Matches telephone lines to Hi-Z amplifier input.
- Feed balanced 600 ohm lines from amplifier output.
- Convenient mounting and connections
- Use with a masking generator when adding masking to an existing music/paging system.
- Chassis measures 5" x 3" x 1.75"
- Barrier strip terminals and mounting holes for fast connection and convenient mounting to a wall or onto a rack panel with pre-punched mounting holes for electronic accessories.

A&E SPECIFICATIONS:

The universal input impedance matching transformer shall be Lowell model TLM-600. The transformer shall be capable of converting balanced and unbalanced low-Z, telephone-type lines to Hi-Z amplifier signals, Hi-Z to low-Z and attenuate 70V or 25V speaker lines to a line level signal suitable for remote amplifier input. Connections to the transformer shall be made via a three-sided barrier strip screw terminal assembly. The steel housing shall have holes for mounting to a wall or onto a rack panel. The housing shall have a black powder epoxy finish.

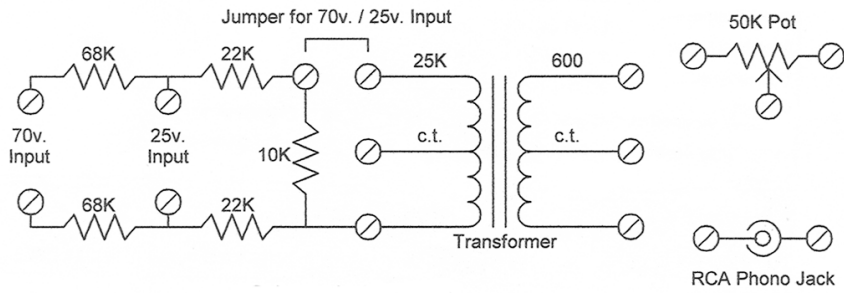


Model Summary

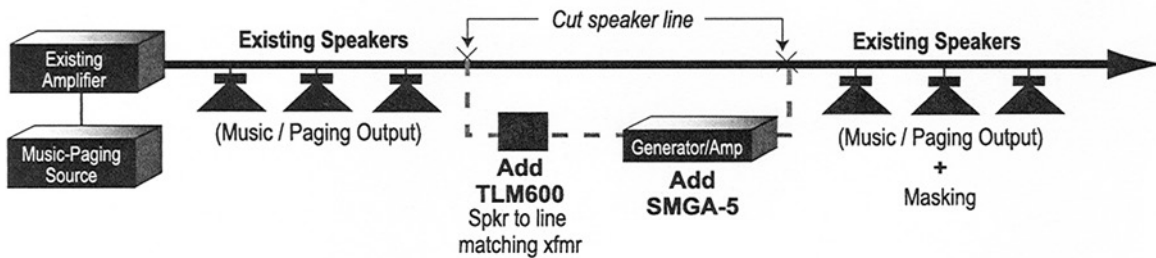
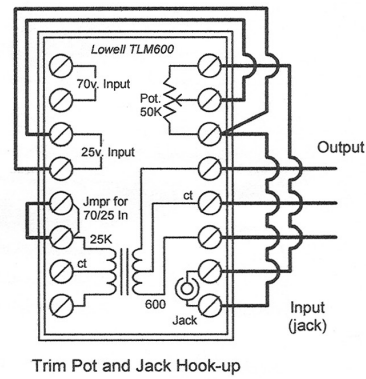
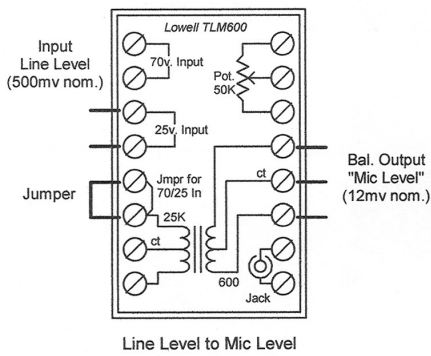
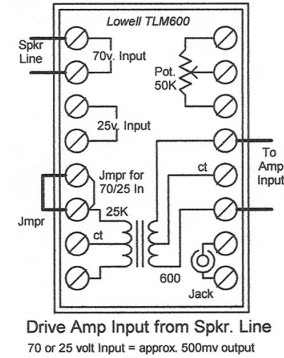
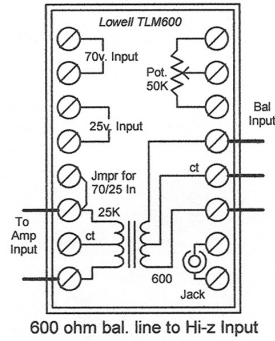
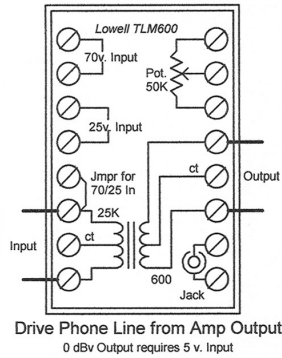
| Model No. | Inputs | Outputs | Power Rating | Frequency Response | Insertion Loss | Weight (lbs) |
|-----------|-----------------|-----------------------|--------------|--------------------|----------------|--------------|
| TLM-600 | 70/25V, 25Kohm* | Bal. 600ohm*, 150ohm* | 200mW max. | 50Hz-20kHz ±2dB | 1.5dB @1kHz | 0.75 |

* May be used as inputs or outputs to satisfy application requirements.

SCHEMATIC:



TYPICAL APPLICATIONS:



Add masking capability to existing paging/masking system

