



Model No.

LWTCR-3S

- Tilt-out wall rack with dampers for controlled release
- Surface-mount

Ideal for amplifiers, small mixers, PA systems or consumer electronics, the rack features oil-filled dampers to provide controlled release when opening the bottom compartment. Equipment mounted in the main (bottom) compartment is stored vertically.

Features

- **Overall Size:** 24.375"W x 32.063"H x 6.063"D. Projects 6.063" from surface of wall.
- **Construction:** Steel with neutral Network Grey finish.
- **Load capacity:** 50 lbs.
- **Main Compartment:** 3U EIA mounting rails accepts equipment up to 5.25"H x 15.3"D x 19"W (stored vertically when compartment is closed). Includes removable shelf (for laptop). Oil-filled dampers control rate of descent when opening compartment. *Note: some electronics may require rack to be fully open (90 degrees) to operate correctly.*
- **Top Compartment:** 3U (5.25"H x 4.3"D x 19"W) mounting area hidden behind a pocket door. Right hinge swings out to service devices mounted to optional 19"W panel.
- **Knockouts:** 0.875" knockouts in top and bottom. 1.5"-1" compound knockouts in rear.
- **Vents:** At bottom and along integral formed handle.
- **Raceway:** 1" cable raceway on each side for wiring.
- **Lock:** Top/bottom compartments secure with single lock.
- **E.O. Box:** Single gang box in base allows convenient connection to AC power.
- **Backbox:** Rear keyholes on 16" centers. Rear knockouts on 12" centers.

A&E Specifications

The surface-mount wall rack with tilt-open operation shall be Lowell Model LWTCR-3S which shall measure 24.375"W x 32.063"H and project 6.063" from wall. Construction shall be steel with front vents and a neutral Network Grey powder epoxy finish. The assembly shall include a backbox and two compartments to mount 19"W equipment. The backbox shall feature 0.875" knockouts in top and bottom, and 1.5"-1.0" compound knockouts in rear. The main compartment shall mount equipment measuring up to 5.25"H (3U) x 15.3"D and store it in a vertical position. Oil-filled dampers shall control lowering of equipment when the compartment is opened. A removable shelf shall be included. The top compartment shall mount equipment up to 5.25"H (3U) x 4.3"D. The right rail shall be hinged to allow swing out operation for servicing. The assembly shall have a load capacity of 50 lbs. and include a single gang EO box in the base.

Model No. Summary

Model No.	Description	Mounting Style	Overall Width	Overall Height	Wall Projection
LWTCR-3S	Wall-mount Tilt-out Rack with controlled release	surface	24.375 in / 619 mm	32.063 in / 814 mm	6.063 in / 154 mm

One rack unit (RU or U) = 1.75 inches or 44.45 mm. Some measurements may have been rounded.

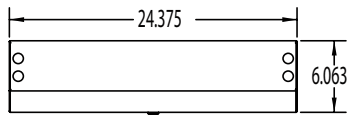


Optional (order separately)

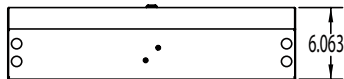
- **Panel Model No. D8P-ID-3:** 19"W rackmount panel with punches for decorator style controls fits in top compartment.

Technical Drawings

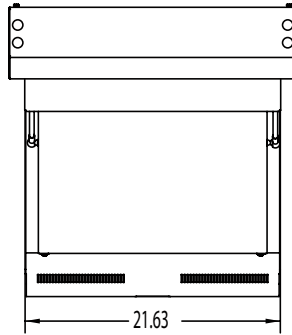
Measurements are inches except as noted.



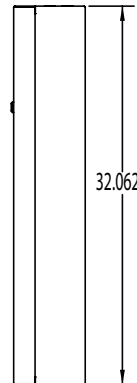
TOP VIEW



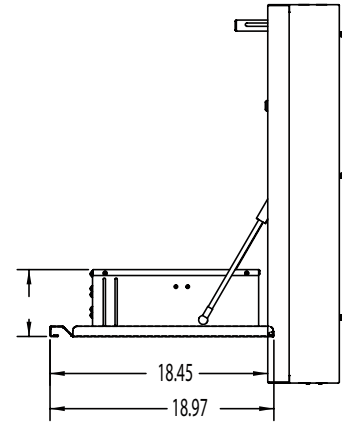
BOTTOM VIEW



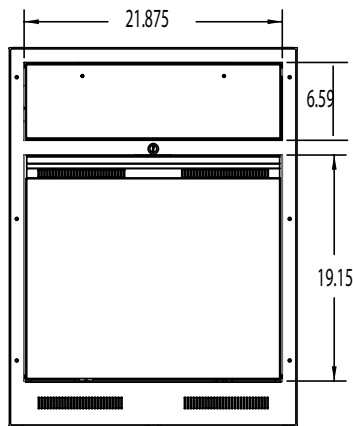
TOP VIEW (OPEN)



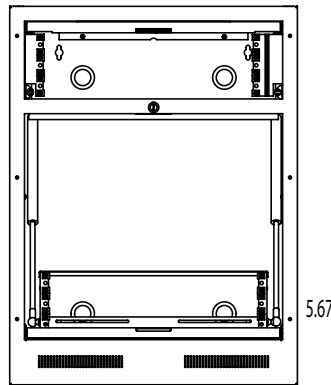
SIDE VIEW



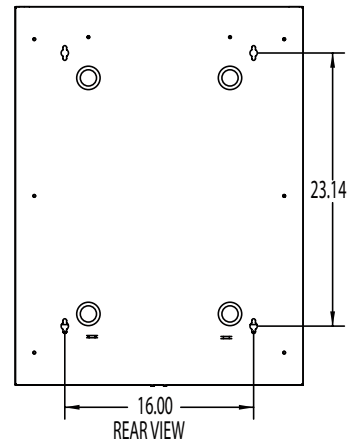
SIDE VIEW (OPEN)



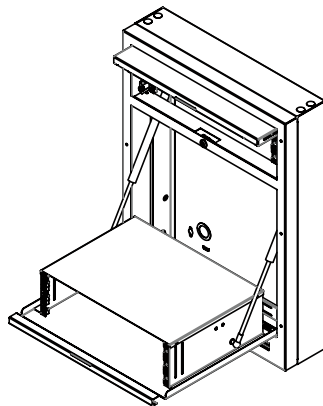
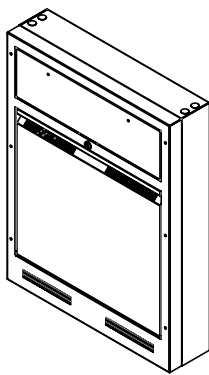
FRONT VIEW



FRONT VIEW (OPEN)



REAR VIEW



Backbox: 24.375"W x 32.062"H x 4.25"D mounts to wall using hardware by others.
Frame: 24.375"W x 32.063"H x 1.813"D mounts to backbox using hardware provided.