



Linear taper potentiometer control (10k ohm) for single-point remote level adjustment of voltage controlled amplifiers (VCA) is designed to interface directly with three-wire, 0 to 10 volt control inputs that are typical on most VCAs. The 10k ohm potentiometer allows the amplifier's control voltage to be set or adjusted from a single remote location.

FEATURES:

- 10k ohm linear taper potentiometer control
- 1/2W power rating
- Provides level adjustment of voltage controlled amplifiers from a single remote location.
- Phoenix-style removable screw termination strips for prewire with capacity for 14-gauge wire.
- Continuous attenuation rotary control with stops at 0 and max., plus incremental detents for precision feel.
- Made in the U.S.A. with global components
- Includes:
 - Almond one-gang decorator style wall plate (2.75"W x 4.5"H)
 - Control assembly (1"W x 1.75"H x 1.25"D) mounted to almond decorator-style subplate
 - Rotary knob

A&E SPECIFICATIONS:

The potentiometer control shall be Lowell model 10KLVC-DA, which shall be a linear taper style potentiometer with 10,000 ohm (10k) resistance and 1/2W power rating. It shall be compatible with three wire 0-10 volt control inputs on voltage control amplifiers for level adjustment from a single remote location. Attenuation shall be continuously variable with stops at minimum and maximum levels. The control shall be mounted to an almond decorator style subplate with printing (Volume, 0, max), and include an almond decorator wall plate and knob.

OPTIONS: (order separately)

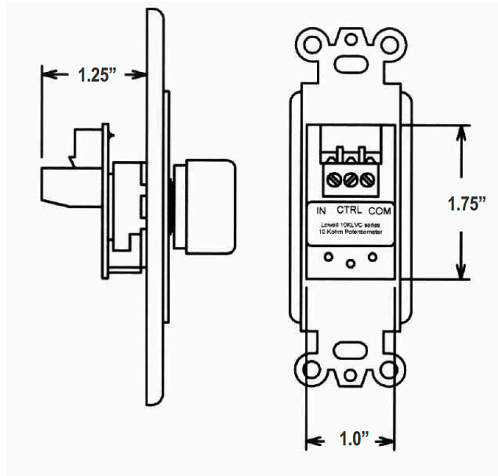
- LVC8P-ID-2: 19" x 2U steel rackmount panel with eight punches to mount standard controls. Panel includes printing for volume levels so adhesive labels (included with some controls) are not needed.
- SEP-2: 19" x 2U steel rackmount panel can be field-punched to mount various controls.

Lowell 10KLVC Potentiometer Series Overview

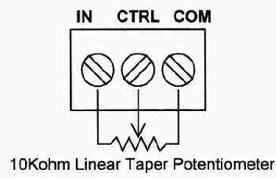
Model No.	Resistance	Taper	Steps	Style	Color	For Use With	Termination
10KLVC-DA	10k ohm	Linear	Continuous	Decorator Wall Plate	Almond	VCA/Audio Circuit	Phoenix
10KLVC-DB	10k ohm	Linear	Continuous	Decorator Wall Plate	Black	VCA/Audio Circuit	Phoenix
10KLVC-DW	10k ohm	Linear	Continuous	Decorator Wall Plate	White	VCA/Audio Circuit	Phoenix
10KLVC-DSW	10k ohm	Linear	Continuous	Decorator Wall Plate	SS/White	VCA/Audio Circuit	Phoenix
10KLVC-RM	10k ohm	Linear	Continuous	Adhesive Label *	Black	VCA/Audio Circuit	Phoenix

* For rackmount panel





Schematic Diagram



Typical Hook-up

