

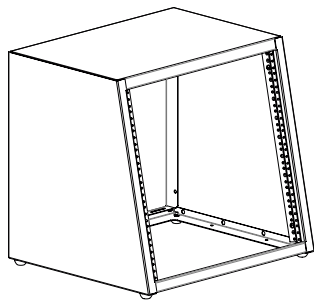


features.

- **Panel Space:** 10U or 17.50" [445]
- **Overall Height:** 19.35" [491]*
- **Overall Depth (base):** 18.00" [457]
- **Overall Depth (top):** 13.89" [353]
- **Overall Width:** 21.10" [536]
- **Description:** Sloped front rack design for small systems allows easy viewing of mounted equipment from a seated position. Rack includes rubber feet to protect desk or counter surface; an optional runner kit is also available for slide-in applications.
- **Construction:** Fully welded, 16-gauge certified U.S. steel. Black wrinkle powder epoxy finish.
- **Open Front:** Open front features 12 degree slope to allow easy viewing of equipment from a seated position. This rack will not accept a front door so protruding knobs or patch panels pose no clearance problems.
- **Open Back:** Fully open for cable entry. Optional rear access cover opens from top.
- **Open Base:** Full opening in base leaves plenty of room for cable entry. Rack includes rubber feet to help protect desk or counter surface. Feet add 0.5" to overall rack height.
- **Solid Top:** Welded steel top.
- **Solid Sides:** Welded steel side panels.
- **Cable Management:** Fully open base and back allow easy access to wires and cables.
- **Rack Rails – 10U (fixed position):** One pair of 11-gauge steel 10-32 threaded rails on E.I.A. spacing with numbered RU increments. Black finish. Rails are recessed 0.562" from frame.
- **Hardware:** Black pilot point screws with captive washers.
- **Compliance:** EIA/TIA compliant. RoHS compliant.
- **Optional:**
 - Rear mounting rails, 1 pair. (#RRTF-10)
 - Rear access cover cannot be used in conjunction with optional rear rails. (#LDTR-RAC10)
 - Protective runner kit: Set of 4 plastic glides to protect desk surface from metal rack in slide-in applications. (#PRK)

*Plus 0.5" for protective rubber feet

a&e specifications.



The rack for desktop or counter use shall be Lowell #LDSR-1018, which shall be made in the U.S.A. of 16-gauge certified U.S. steel with overall dimensions of 21.10"W x 18.00"D (at base) x 19.35"H. The rack shall provide 10 rack units of panel space on a 12 degree slope for easier viewing of mounted equipment from a seated position. The front, rear, and base of the rack shall be open, while the top and sides shall be welded steel with black wrinkle powder epoxy finish. The rack shall include one pair of fixed position mounting rails tapped 10-32. A set of rubber feet shall be included to help protect surfaces. The feet shall increase overall rack height 0.5".

Optional

- The rack shall include a pair of rear rails, #RRTF-10.
- The rack shall include a rear access cover that opens from the top, #LDTR-RAC10.
- The rack shall include a protective runner kit consisting of four plastic glides to protect surfaces, #PRK.

LDSR series summary

Model No.	Rack Units	Overall Depth at base	Overall Depth at top	Overall Height*	Usable Height	Overall Width	Fixed Rails	Extras
LDSR-718	7 U	18.00 [457]	14.98 [380]	14.21 [361]	12.25 [311]	21.10 [536]	1 pr	Rubber Feet
▶ LDSR-1018	10 U	18.00 [457]	13.89 [353]	19.35 [491]	17.50 [445]	21.10 [536]	1 pr	Rubber Feet
LDSR-1218	12 U	18.00 [457]	13.16 [334]	22.77 [578]	21.00 [533]	21.10 [536]	1 pr	Rubber Feet

Rack dimensions (rounded) – inches and [mm], 1U = 1.75"

*Height without rubber feet

