

Includes power supply with NEMA 1-15P plug and three adapters

Compact low voltage eight step sequencer model SEQ-8 is designed to work with single or multiple external switches and low voltage remote power controls (RPCs) to provide time-delayed activation and deactivation of AC powered equipment on site or at remote locations.

Note: This sequencer is for use with compatible components that feature classic connections. It is not for use with devices that feature pass-through connections.

FEATURES:

- **Power Requirement:** 100-240VAC 12W
- **Activation Trigger:** Sequencing is initiated by a remote external SPST switch or switches (order separately). Slide the bar to select single or multiple switch mode.
 - For Single Switch Applications: Use an SPST switch with MAINTAINED contact closure.
 - For Multiple Switch Applications: Use SPST switches with MOMENTARY contact closure.
- **Eight (8) Step Delay:**
 - Eight time-delayed closure circuits activate in sequential order (1, 2, 3, 4, 5, 6, 7, 8) and deactivate in reverse order.
 - The delay between steps can be adjusted via an externally accessible trimpot (0.5-10 seconds).
 - LEDs provide visual status of the sequence.
 - Includes auxiliary 24VDC output (300mA max.) for use with remote indicators.
- **Compact Chassis:** 10" x 3.28" x 1.69" steel chassis with black powder epoxy finish and mounting holes.
 - Unit can be installed in a remote location or rack panel (2U).
 - Operational diagram printed on top of chassis aids system set-up.
- **Country of Origin:** Made in U.S.A. with global components

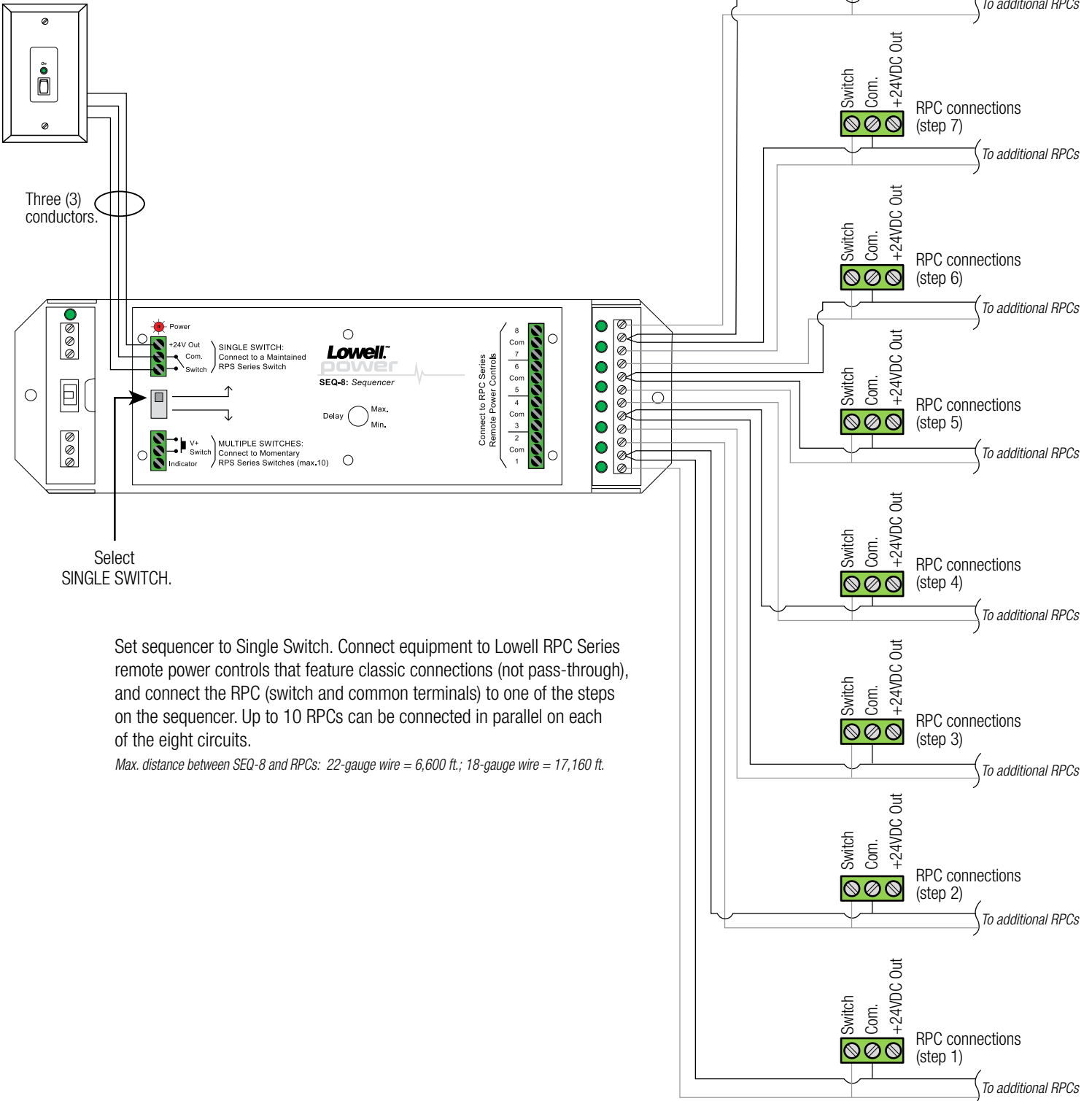
- **Power Supply:** UL Listed power supply (100-240VAC input, 24VDC 500mA output) with 6 ft. cord and NEMA 1-15P plug. Includes three adapters for international use (Schuko CEE 7/16, BS1362, AS3112).
- **Installation:** The sequencer is typically installed in a convenient location, while remote power controls are placed near equipment to be controlled—in another rack, room or building.
 - Maximum distance between switch, sequencer and remote power controls: 22 gauge wire = 6,600 ft.; 18 gauge wire = 17,160 ft.
 - System Capacity: Accepts up to 10 RPCs per step.
- **Connections:** Order compatible remote power controls and switches separately. (See last page.)
- **A&E Specifications:** The power sequencer shall be Lowell model SEQ-8, which shall feature barrier strip terminals for connection to a single external SPST switch with maintained contact closure or multiple external SPST switches with momentary closure. The sequencer shall connect to remote power controls (RPCs) to activate equipment in up to eight steps with an adjustable time delay between each step. It shall activate the RPCs in sequential order and deactivate them in reverse order. The sequencer shall feature a steel chassis with mounting holes, black powder epoxy finish, and overall dimensions of 10" x 3.28" x 1.69". It shall be made in the USA with global components, and include a UL Listed power supply with NEMA 1-15P plug and three adapters (Schuko CEE 7/16, BS1362, AS3112). External switch(es) and remote power controls are required for sequencer use and shall be ordered separately.



TYPICAL WIRING (one switch):

Connect one Lowell RPS Series switch that features MAINTAINED closure (remains on until turned off). The switch will feature one LED and use three conductors.

Max. distance between SEQ-8 and switch: 22-gauge wire = 100 ft.; 18-gauge wire = 200 ft.



Three (3) conductors.

Select SINGLE SWITCH.

Set sequencer to Single Switch. Connect equipment to Lowell RPC Series remote power controls that feature classic connections (not pass-through), and connect the RPC (switch and common terminals) to one of the steps on the sequencer. Up to 10 RPCs can be connected in parallel on each of the eight circuits.

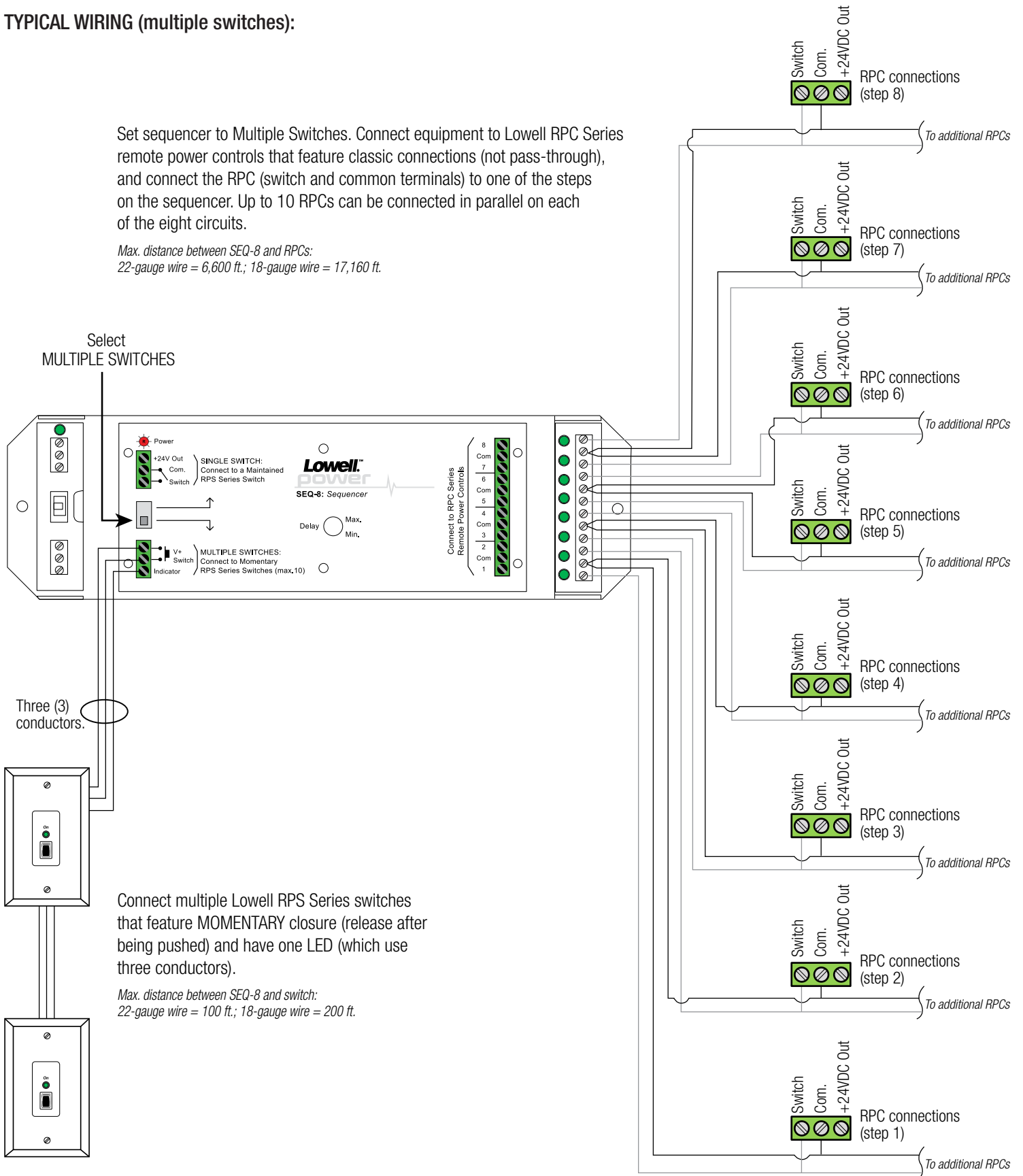
Max. distance between SEQ-8 and RPCs: 22-gauge wire = 6,600 ft.; 18-gauge wire = 17,160 ft.



TYPICAL WIRING (multiple switches):

Set sequencer to Multiple Switches. Connect equipment to Lowell RPC Series remote power controls that feature classic connections (not pass-through), and connect the RPC (switch and common terminals) to one of the steps on the sequencer. Up to 10 RPCs can be connected in parallel on each of the eight circuits.

Max. distance between SEQ-8 and RPCs:
22-gauge wire = 6,600 ft.; 18-gauge wire = 17,160 ft.



OPTIONS: (order separately)

• **SWITCH for single switch applications:** (RPS Series switch with maintained closure, one LED)

<i>Model</i>	<i>Description</i>	<i>Model</i>	<i>Description</i>
RPSW-P	1 LED rocker switch, white wall plate	RPSW-KP	1 LED key switch, white wall plate
RPSB-P	1 LED rocker switch, black wall plate	RPSB-R	1 LED rocker switch, 19" panel
RPSB-KR	1 LED key switch, 19" panel	RPSB-R-RJ	1 LED rocker switch, 19" panel, RJ45
RPSB-KR-RJ	1 LED key switch, 19" panel, RJ45	RPSW-P-RJ	1 LED rocker switch, white wall plate, RJ45
RPSW-KP-RJ	1 LED key switch, white wall plate, RJ45	RPSB-P-RJ	1 LED rocker switch, black wall plate, RJ45

• **SWITCH for multiple-switch applications:** (RPS Series switch with momentary closure, one LED)[†]

<i>Model</i>	<i>Description</i>
RPSW-MP	1 LED rocker switch, white wall plate
RPSB-MP	1 LED rocker switch, black wall plate
RPSB-MR	1 LED rocker switch, 19" panel
RPSW-MKP	1 LED key switch, white wall plate
RPSB-MKP	1 LED key switch, black wall plate
RPSB-MKR	1 LED key switch, 19" panel

• **REMOTE POWER CONTROL:** (RPC Series with classic connections)

<i>Model</i>	<i>Description</i>	<i>Model</i>	<i>Description</i>
RPC-15	RPC with (2) 15A NEMA outlets, cord	RPC-15-S	RPC with (2) 15A NEMA outlets, surge supp, cord
RPC-15-SCD-RJ	RPC with (2) 15A NEMA outlets, cord, RJ45	RPC-15-U	RPC with (2) IEC C13 outlets, cord
RPC-20-CD	RPC with (2) 20A NEMA outlets, cord	RPC-20-SCD	RPC with (2) 20A NEMA outlets, surge supp, cord
RPC-20-SCD-RJ	RPC with (2) 20A NEMA outlets, surge supp, cord, RJ45	RPC-3N1	RPC with (8) 15A NEMA outlets, cord
RPC-20-HW	RPC with (2) 20A NEMA outlets, whip	RPC-20-SHW	RPC with (2) 20A NEMA outlets, surge supp, whip
RPC-30-SHW	RPC with 30A Twistlock outlets, surge supp, whip		

[†] Note: This sequencer is not designed for use with RPS Series switches that feature two LEDs (and require four connectors)

SEQ & SEQR Series Overview — sequencers with classic connections

<i>Model No.</i>	<i>Chassis</i>	<i>Steps</i>	<i>Alternate Sequence Mode</i>	<i>Onboard Switch</i>	<i>REQUIRES A Remote Switch</i>	<i>ACCEPTS Multiple Remote Switches</i>	<i>ACCEPTS Input from Alarm System</i>	<i>ACCEPTS Input from Lowell Switch w/RJ45</i>	<i>Power Input</i>	<i>Country of Origin</i>
SEQ-4	standalone	4	---	---	yes	through MSM2	---	---	power supply	USA
SEQ-8	standalone	8	---	---	yes	yes	---	---	power supply	USA
SEQR-4	1U panel	4	---	rocker	---	yes	yes	---	power supply	USA
SEQR-4K	1U panel	4	---	key	---	yes	yes	---	power supply	USA
SEQR-8	1U panel	8	yes	rocker	---	yes	yes	---	power supply	USA
SEQR-8K	1U panel	8	yes	key	---	yes	yes	---	power supply	USA
SEQR-8RJ	1U panel	8	yes	rocker	---	yes	yes	yes	power supply	USA

This spec

Steps = Unit activates/deactivates connected remote power controls (RPCs) in four or eight steps, with a delay between each. Multiple RPCs can connect to each step.

Alternate Sequence Mode = The ASM feature skips selected outputs to allow partial startup of system, useful for small events or rehearsals. It requires remote switch model RPSB-KP-ASM to enable ASM function before main switch is activated.

Onboard Switch = Sequencers without an onboard switch will require an external switch for activation.

REQUIRES A Remote Switch = Sequencer can be controlled by one external switch, usually placed in a remote location (RPS series switch with MAINTAINED closure).

ACCEPTS Multiple Remote Switches = Sequencer can be controlled by one or more external switches placed in remote locations (RPS Series switches with MOMENTARY closure). Some models require the MSM2 module in order to accept multiple switches.

ACCEPTS Input from Alarm System = Sequencer can accept control override from an alarm system (alarm by others, not included).

ACCEPTS Input from Lowell Switch w/RJ45 = Sequencer is designed for use with a Lowell MOMENTARY switch that has a model number with "-RJ" as a suffix (see options above). Note that these switches include a single RJ45 connector and are not part of Lowell's "pass-through" series.

NOTE: For rackmount sequencers that include AC power outlets, see Lowell ACR Series or ACSPPR Series.