



100%
CERTIFIED
US STEEL



MADE IN
THE U.S.A.



EIA
TIA
COMPLIANT



RoHS
COMPLIANT



27"D model pictured

features.

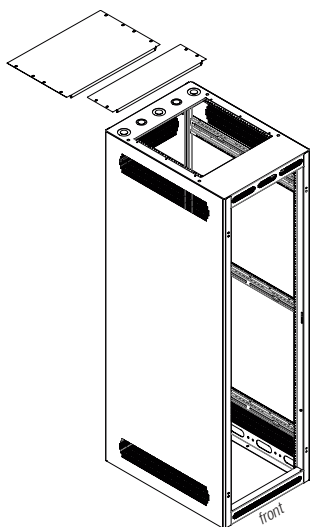
- **Panel Space:** 40U or 70.125" [1781]
- **Overall Height:** 76.125" [1934]
- **Overall Depth:** 32.00" [813]
- **Overall Width:** 23.06" [586]
- **Construction:** Fully welded certified U.S. steel, 16-gauge frame with 14-ga. bottom reinforced at load-bearing junctions for robust support, strength equivalent to 11-ga. steel. Black wrinkle powder epoxy finish. Beveled edge corners front and rear.
- **Front:** Upper and lower vents. Frame nutserts are ready to add optional surface-mount door (left or right swing). Order front door separately.
- **Rear:** Laser-cut knockout panels in frame above and below door with combination EKO for conduit (1/2"-3/4" and 1"-1-1/2") and KOs for wireless antennae (1/2"). Standard model includes recessed door with vents and key lock (left or right swing). Rear door can be omitted by placing "LRD" (less rear door) suffix in model no.
- **Cable Management:** Laser-cut combination knockouts in top and rear.
- **Sides (welded):** Welded side panels with vents at top and bottom.
- **Bottom (open access):** Includes 10-32 threaded grounding stud in corner, 3/8"-16 threaded T-nuts for (optional) leg levelers, and holes for anchor bolts (by others). Opening is 27.88"D x 19.94"W.
- **Configurable Top (with closure panels):** 10U opening features riveted 10-32 threaded rails on 19" E.I.A. spacing. Includes two black closure panels (3U, 7U) which can be replaced with optional 19" panels (fan, vent, etc.). A 6"D rear conduit plane has combination EKO for conduit (1/2"-3/4" and 1"-2"), KOs for wireless antennae (1/2"), plus room to field-punch an opening for 4" dia. conduit.
- **Rack Rails – 40U (fully adjustable):** Two pairs of 11-ga. steel 10-32 threaded rails on E.I.A. spacing with bi-directional numbered RU increments (rails mount in either direction). Black finish. Clearance from front rail to outside frame (1.75"), from front rail to optional surface-mount door (2.5").
- **Hardware:** Black pilot point screws with captive washers for quick installation. (50)
- **Compliance:** EIA/TIA compliant. RoHS compliant. UL 2416 Listed in U.S. and Canada.
- **UL Listed Load Capacity:** 3150 lbs. [1428 kg]
- **Optional:**
 - LFD-40: front door
 - LFD-40P: smoked plexiglass front door
 - LFD-40FV: fully-vented front door
 - LRD-40FV: fully-vented rear door
 - RRD-40: 40U mounting rails
 - LMSB-32: mobile base
 - LSB-32: stationary base
 - LL: leg levelers

a&e specifications.

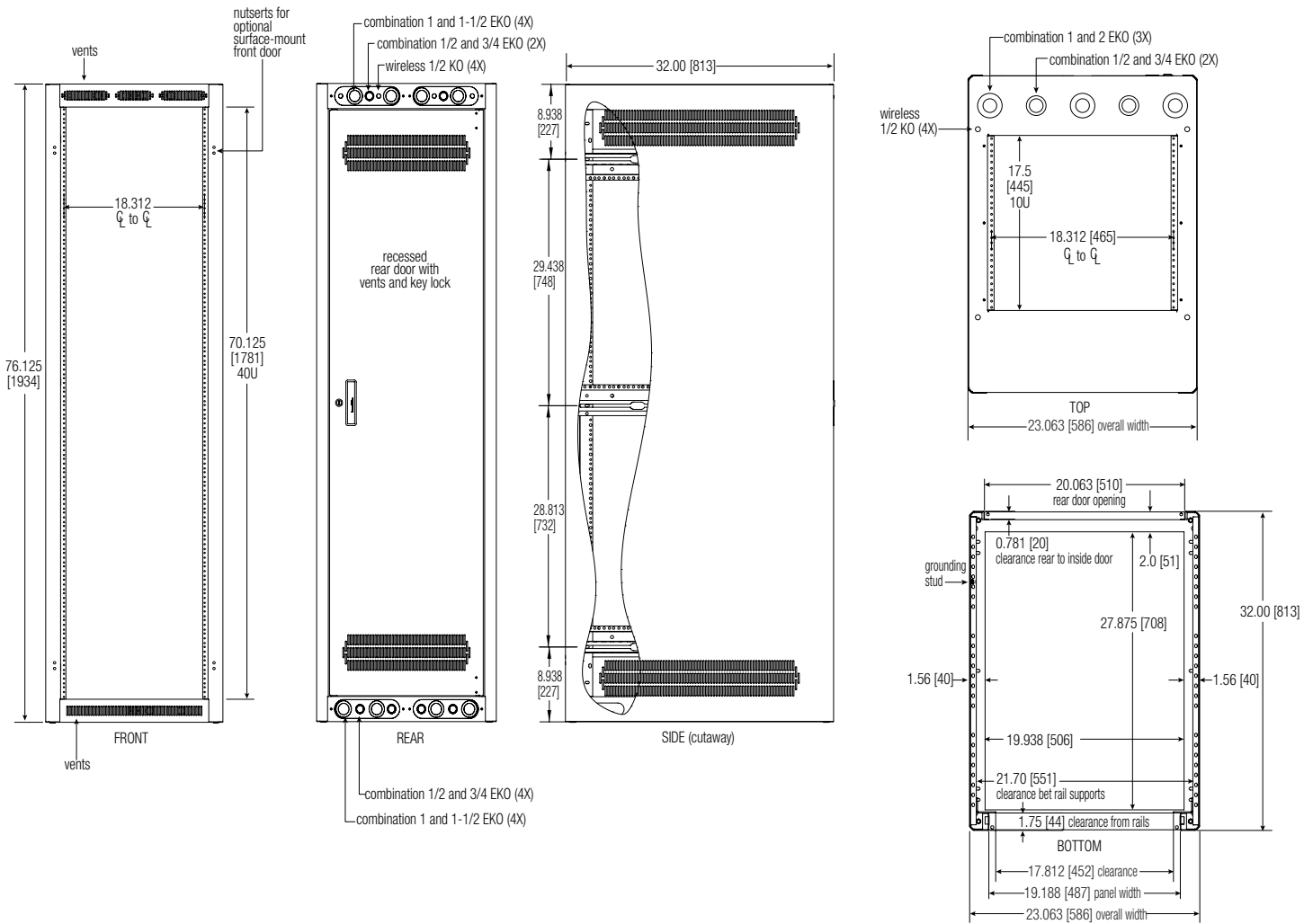
The EIA/TIA compliant 19" floor rack shall be Lowell model LER-4032 with overall dimensions of 76.125"H x 32.00"D x 23.06"W; usable height of 40 rack units, and usable depth of 29.34". Rack construction shall be fully welded certified U.S. steel with 16-gauge frame and 14-gauge bottom reinforced at load-bearing junctions, all with black wrinkle powder epoxy finish. Welded sides shall feature vents at top and bottom. The rack shall include a recessed rear door with vents and key lock, laser-cut knockout panels above and below door with 1/2" KO for wireless antennae, 1/2"-3/4" and 1"-1-1/2" EKO for conduit. The front shall feature vents along top and bottom, and provisions to accept an (optional) surface-mount door with left or right hand swing. The top shall feature a 10U opening with riveted 10-32 threaded rails on 19" E.I.A. spacing and solid closure panels (3U, 7U), 1/2"-3/4" and 1"-2" EKO for conduit, 1/2" KO for wireless antennae, and a 6"D rear conduit plane with room to field-punch holes for 4" dia. conduit. Rack bottom shall have an opening measuring 27.88" x 19.94" and include a grounding stud. Rack shall include 2 pairs of (40U) adjustable 11-gauge steel rails tapped 10-32 on 19" E.I.A. spacing with black finish and numbered rack unit increments. The UL 2416 Listed rack shall be manufactured in the U.S.A. with a UL Listed load capacity of 3150 lbs.

Optional

- The rack shall include a solid steel surface-mount front door with key lock model LFD-40.
- The rack shall include a smoked plexiglass surface-mount front door with key lock model LFD-40P.
- The rack shall include a fully-vented surface-mount front door with key lock model LFD-40FV.
- The rack shall include a fully-vented rear door with key lock model LRD-40FV.
- The rack shall include mobile base model LMB-32, which shall add 1.25" to height.
- The rack shall include a stationary base model LSB-32.
- The rack shall include an additional pair of 40U mounting rails model RRD-40.
- The rack shall include a set of four leg levelers model LL.



The rack includes a rear door and top closure panels (rear door can be omitted if not needed, see ordering option, pg. 2). A front door is optional, order separately.



LER series summary

Model No.	Rack Units	Overall Depth	Usable Depth	Overall Height	Usable Height	Overall Width	Top Opening	Bottom Opening Depth	Bottom Opening Width	Adj. Rails
LER-1822	18 U	22.00 [559]	19.34 [491]	37.63 [956]	31.63 [803]	23.06 [586]	---	17.88 [454]	19.94 [506]	1 pr
LER-2122	21 U	22.00 [559]	19.34 [491]	42.88 [1089]	36.75 [933]	23.06 [586]	---	17.88 [454]	19.94 [506]	1 pr
LER-2422	24 U	22.00 [559]	19.34 [491]	48.13 [1222]	42.13 [1070]	23.06 [586]	---	17.88 [454]	19.94 [506]	1 pr
LER-3522	35 U	22.00 [559]	19.34 [491]	67.38 [1711]	61.38 [1559]	23.06 [586]	7 U	17.88 [454]	19.94 [506]	1 pr
LER-4022	40 U	22.00 [559]	19.34 [491]	76.13 [1934]	70.13 [1781]	23.06 [586]	7 U	17.88 [454]	19.94 [506]	1 pr
LER-4422	44 U	22.00 [559]	19.34 [491]	83.13 [2111]	77.13 [1959]	23.06 [586]	7 U	17.88 [454]	19.94 [506]	1 pr
LER-1827	18 U	27.00 [686]	24.34 [618]	37.63 [956]	31.63 [803]	23.06 [586]	---	22.88 [581]	19.94 [506]	1 pr
LER-2127	21 U	27.00 [686]	24.34 [618]	42.88 [1089]	36.75 [933]	23.06 [586]	---	22.88 [581]	19.94 [506]	1 pr
LER-2427	24 U	27.00 [686]	24.34 [618]	48.13 [1222]	42.13 [1070]	23.06 [586]	---	22.88 [581]	19.94 [506]	1 pr
LER-3527	35 U	27.00 [686]	24.34 [618]	67.38 [1711]	61.38 [1559]	23.06 [586]	7 U	22.88 [581]	19.94 [506]	1 pr
LER-4027	40 U	27.00 [686]	24.34 [618]	76.13 [1934]	70.13 [1781]	23.06 [586]	7 U	22.88 [581]	19.94 [506]	1 pr
LER-4427	44 U	27.00 [686]	24.34 [618]	83.13 [2111]	77.13 [1959]	23.06 [586]	7 U	22.88 [581]	19.94 [506]	1 pr
LER-2432	24 U	32.00 [813]	29.34 [745]	48.13 [1222]	42.13 [1070]	23.06 [586]	10 U	27.88 [708]	19.94 [506]	2 pr
LER-3532	35 U	32.00 [813]	29.34 [745]	67.38 [1711]	61.38 [1559]	23.06 [586]	10 U	27.88 [708]	19.94 [506]	2 pr
LER-4032	40 U	32.00 [813]	29.34 [745]	76.13 [1934]	70.13 [1781]	23.06 [586]	10 U	27.88 [708]	19.94 [506]	2 pr
LER-4432	44 U	32.00 [813]	29.34 [745]	83.13 [2111]	77.13 [1959]	23.06 [586]	10 U	27.88 [708]	19.94 [506]	2 pr

Rack dimensions (rounded) – inches and [mm]; 1U = 1.75"

ORDERING OPTION: Omit rear door by adding "LRD" to end of model number, ex. LER-4032-LRD

