



features.

- **Panel Space:** 18U or 31.50" [800]
- **Overall Height:** 35.67" [906] without casters
38.43" [976] with casters
- **Overall Depth:** 24.00" [610]
- **Usable Depth:** 22.00" [559]
- **Overall Width:** 22.31" [567]
- **Description:** Elegant floor rack for 19" equipment is designed for an executive boardroom, home theater or office. Includes tempered glass front door, rear access cover, and an installed accessory package that includes items listed.
- **Construction:** Welded steel frame with removable side panels, rear access cover, and tempered glass door. 16-gauge certified U.S. steel with top and base reinforced at loadbearing junctions. Charcoal Grey textured finish. Beveled edge corners.
- **Front:** Includes smoked grey tempered glass door with inset handle and key lock. Mounts left or right.
- **Rear:** Removable rear access cover with key lock opens from the top. Rear cover is keyed the same as side panels.
- **Sides:** Removable side panels with key locks are keyed the same as rear door.
- **Base:** Large 12" x 12" opening in center of base, plus two holes with grommets for cable access. Includes 10-32 threaded grounding stud and four leg levelers.
- **Top:** Steel top features two vents and a center hole with grommet for cable access.
- **Cable Management:** Hole with grommet in top, two in base.
- **Rack Rails–18U (fully adjustable):** Two pairs of 11-gauge steel, 10-32 threaded rails with rack unit increments printed on E.I.A. spacing.
- **Hardware:** Black pilot point screws with captive washers for quick installation.
- **Compliance:** EIA/TIA compliant. RoHS compliant.
- **Load Capacity:** 500 lbs. [226 kg]
- **Installed Accessory Package:**
 - **Shelves:** 2U x 19"W x 18"D shelves with bottom vents. Quantity = three (3).
 - **Blank Panels:** 2U x 19"W blank panels. Quantity = three (3).
 - **Fans:** Whisper quiet fans installed in top vents. Quantity = two (2).
 - **Swivel Casters:** Set of 4 casters (2 locking)

a&e specifications.

The EIA/TIA compliant 19" equipment rack shall be Lowell #LCDR-1824 with overall dimensions of 22.31"W x 24.00"D x 35.67"H (without casters), providing 18U panel space. Construction shall be welded 16-gauge steel frame with top and base reinforced at loadbearing junctions. It shall have a Charcoal Grey textured finish. The rack shall include a smoked grey tempered glass front door with key lock, recessed rear access cover with key lock, removable side panels with key locks, two pairs of 11-gauge steel adjustable rails with mounting holes tapped 10-32 and rack unit increments printed on EIA spacing.

The steel top shall have two vents and a hole with grommet for cable management. The base shall feature a center opening, two holes with grommets, and a grounding stud. The rack shall include four leg levelers.

The installed accessory package shall include: 2 whisper quiet fans (installed in top vents), 3 (2U x 19"W) blank panels, 3 (2U x 19"W x 18"D) shelves with vents, and a set of 4 swivel casters (2 locking).

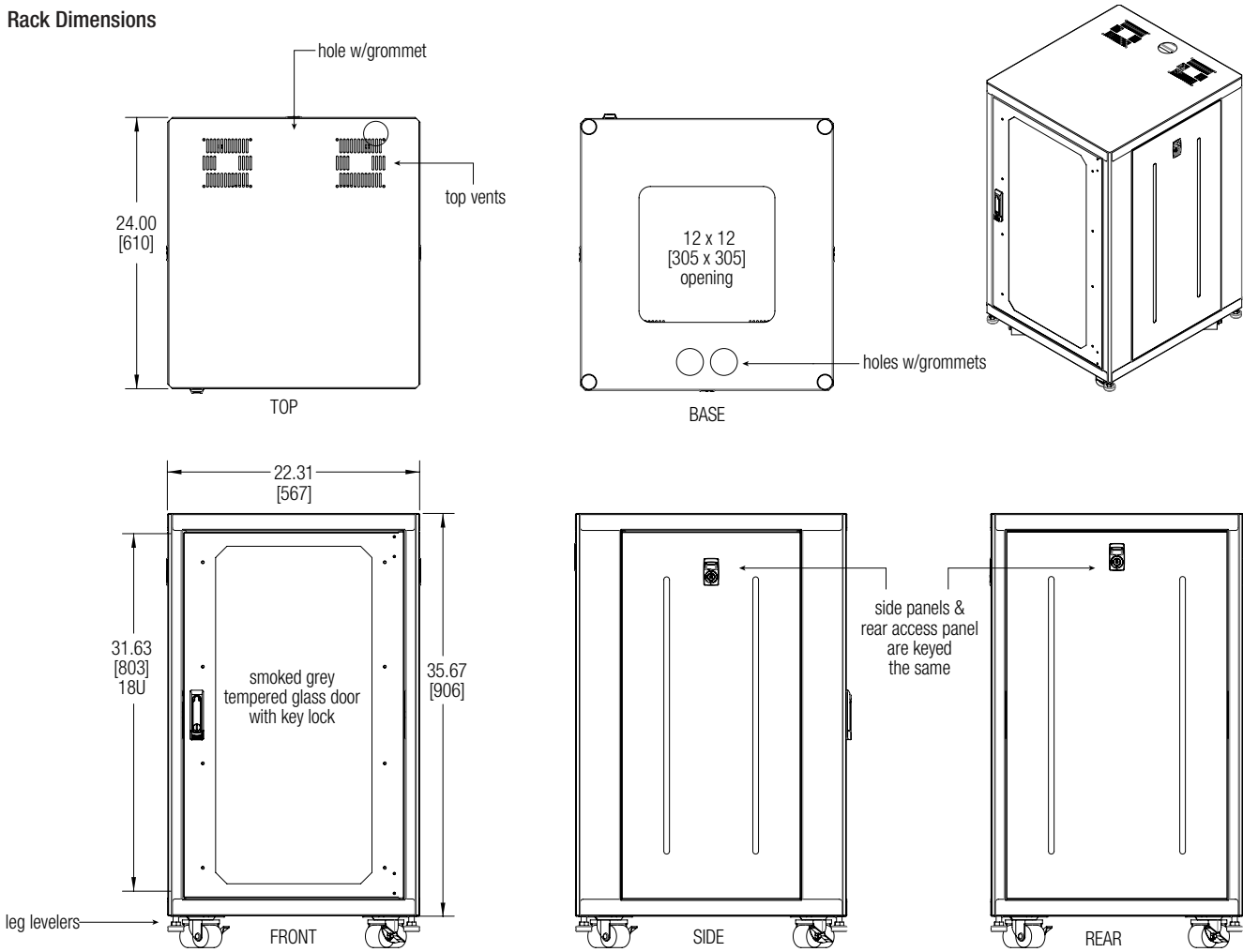
LCDR series summary

| Model No. | Rack Units | Overall Depth | Usable Depth | Overall Height | Usable Height | Overall Width | Bottom Opening Depth | Bottom Opening Width | Adjustable Rails | Load Capacity lbs. |
|-------------|------------|---------------|--------------|----------------|---------------|---------------|----------------------|----------------------|------------------|--------------------|
| ▶ Lcdr-1824 | 18 U | 24.00 [610] | 22.00 [559] | 35.67 [906] | 31.50 [800] | 22.31 [567] | 12.00 [305] | 12.00 [305] | 2 pr | 500 |
| LCDR-2724 | 27 U | 24.00 [610] | 22.00 [559] | 51.42 [1306] | 47.25 [1200] | 22.31 [567] | 12.00 [305] | 12.00 [305] | 2 pr | 750 |
| LCDR-3524 | 35 U | 24.00 [610] | 22.00 [559] | 65.43 [1662] | 61.25 [1556] | 22.31 [567] | 12.00 [305] | 12.00 [305] | 2 pr | 980 |
| LCDR-4224 | 42 U | 24.00 [610] | 22.00 [559] | 77.68 [1973] | 73.50 [1867] | 22.31 [567] | 12.00 [305] | 12.00 [305] | 2 pr | 1200 |

Rack dimensions (rounded) – inches and [mm]
1U = 1.75"



Rack Dimensions



Installed Accessory Package

