

A tile-bridge distributes the weight of a speaker assembly to the ceiling support structure in a suspended 2' x 2' or 2' x 4' tile ceiling, reducing the likelihood of tiles sagging under the weight of the speaker, and helping to maintain the overall aesthetics of the installation. Tile-bridges are often required by local building codes for safety purposes. The LBS4-R is for infinite baffle applications only (those without a backbox).

Note that speaker installation should always be performed according to all local building codes and regulations, many of which require a backbox.

FEATURES:

- **Construction:** Formed 22-gauge galvanized steel construction for lightweight, rigid support.
- **Overall Dimensions:** 23.75" x 12.125" (5.188" diameter opening)
- **Origin:** Made in the U.S.A.
- **Compatibility:** The tile-bridge includes clips to mounts standard 4" (EIA 5") speaker assembly with screw-mount grille model WB-4 (ordered separately).
- **A&E Specifications:** The tile bridge shall be Lowell model LBS4-R, which shall be formed 22-gauge galvanized steel construction engineered to distribute the weight of a 4" speaker assembly to the ceiling support system in a 2'x 2' or 2'x 4' suspended ceiling. It shall mount Lowell screw-mount grille model WB-4 (ordered separately).



LBS Series (Tile Bridge) Summary

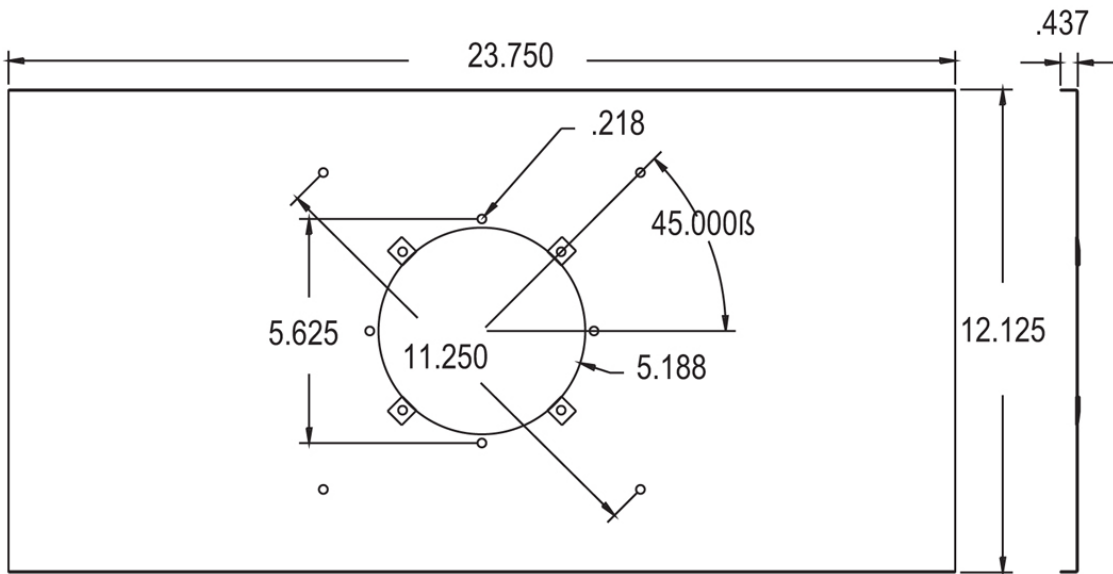
Model No.	For Speaker Size	For Grille Type	Backbox*	Dimensions	Opening	Material
LBS4-DX	4"	screw or torsion	required	23.75" x 12.13"	6.38" diameter	galvanized steel
LBS4-R	4"	screw	infinite baffle only**	23.75" x 12.13"	5.19" diameter	galvanized steel
LBS8	8"	screw	optional	23.75" x 15.50"	8.50" square	galvanized steel
LBS8-CP	8"	screw	required	23.75" x 16.25"	12.00" diameter	galvanized steel
LBS8-R1	8"	screw or torsion	required w/torsion grille	23.75" x 15.50"	10.75" diameter	galvanized steel

* Check and follow all local building codes for backbox requirements.

** The tile-bridge will not accept a backbox.

This spec





COMPATIBLE COMPONENTS: (order separately)

<i>Grille</i>	<i>Backbox *</i>	<i>Tile-Bridge</i>
Screw-mount: WB-4	none (infinite baffle)	LBS4-R

* Check and follow all local building codes for backbox requirements.

