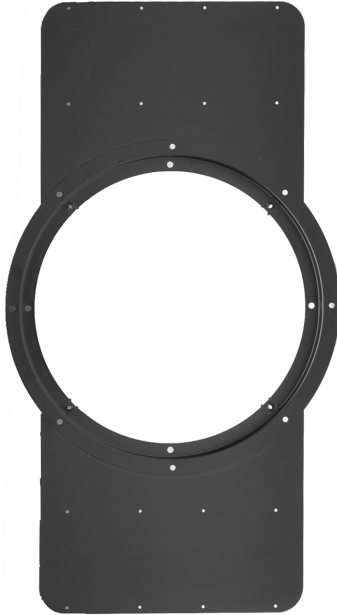


The PR8-1624 steel rough-in bridge is mounted to the structural members of a ceiling or wall before drywall is installed in order to reserve space for a recessed loudspeaker. The bridge can be used with or without a backbox and provides an economical solution for applications with limited ceiling or wall depth.

*Note that speaker installation should always be performed according to all building codes and regulations, many of which will require a backbox.*



### FEATURES:

- **Construction:**

- 22-gauge certified U.S. steel
- Ring and welded extension panels have a black powder epoxy finish
- Mounting holes at 16" and 24" centers

- **Overall Dimensions:** 24.01"L x 13.25"W (10.75" dia. opening)

- **Origin:** Made in the U.S.A.

- **Hardware:**

- Includes 8-32 screw retaining clips to mount a standard 8" speaker and a screw-mount grille.
- Installer to supply mounting screws suitable for the type of material used in the structural members of the ceiling or wall where the bridge will be installed, and four 8-32 mounting screws for a backbox (if used).

- **Installation:**

- The rough-in bridge is installed before drywall and features a half-inch protruding lip that the drywaller has to cut around, leaving a hole for the speaker.
- A backbox can be mounted to the bridge before or after drywall is installed. Flexible conduit can be attached to the backbox to protect speaker wiring, as needed.

- **A&E Specifications:** The rough-in bridge for recessed installation of a standard 8" loudspeaker shall be Lowell model PR8-1624, which shall be made in the U.S.A. with certified U.S. steel and black powder epoxy finish. The rough-in bridge shall feature mounting holes available at 16" and 24" centers. It shall include 8-32 screw retaining clips to mount a standard 8" speaker and grille (ordered separately).

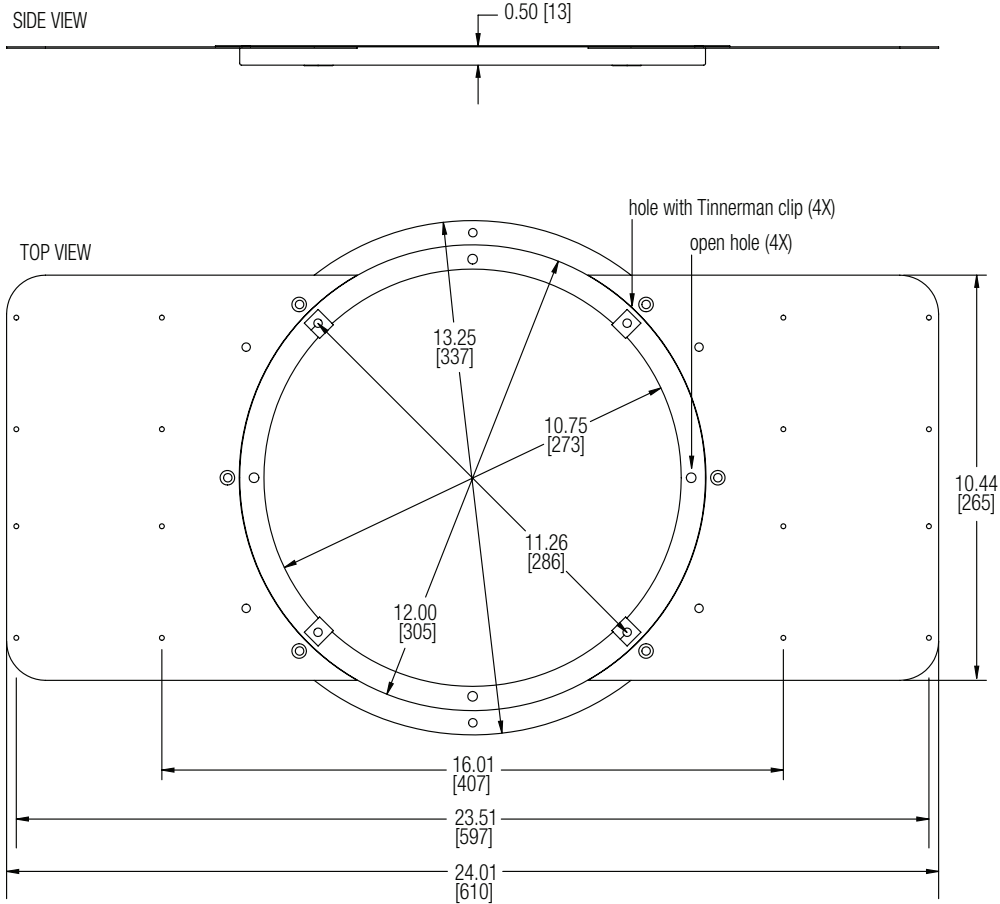
### COMPATIBLE COMPONENTS: (order separately)

- Standard Speaker (8"): 810, 8A50, 8P100, CT830A, 8C10MRB, 8C10DVCA-2T72
- Grille (screw-mount): A8-AW, CS-8H, LO8-P, RS8-AW, WB-8
- Grille (torsion): CN-8M, WB-8T (only with XCP Series enclosure)
- Recessed Backbox (for screw-mount grille): 8XD4, XCP84, XCP87, XCP810
- Recessed Backbox (for torsion grille): IX810, XCP84, XCP87, XCP810

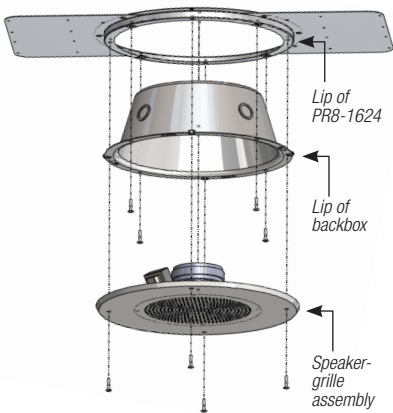
### Model Summary

Model No.	For Speaker Size*	For Grille Type	Length	Width	Opening	Material	Color
<b>PR8-1624</b>	<b>8"</b>	<b>Torsion or Screw</b>	<b>24.01"</b>	<b>13.25"</b>	<b>10.75" dia.</b>	<b>Steel</b>	<b>Black</b>





Measurements shown as: inches [mm]



### INSTRUCTIONS (installation with backbox):

1. Orient the PR8-1624 with its lip protruding down towards floor, then mount it to the structural members of the drywall ceiling using hardware furnished by the installer (as required for type of material it will be attached to).
2. With opening facing down towards floor, push rear of backbox through the PR8-1624 until its outer lip touches the bottom of the PR8-1624.
3. The lip of the backbox and the lip of the PR8-1624 have 8 holes (4 open and 4 with 8-32 Tinnerman clips). Align the backbox so its 4 open holes line up with the 4 Tinnerman clips on the PR8-1624.
4. Using (4) 8-32 screws (furnished by installer), attach backbox by inserting screws through its open holes into the Tinnerman clips on the PR8-1624.
5. Remove knockouts on the backbox as required to attach conduit (or other) fitting according to NEC code so speaker wiring can be pulled into the backbox.
6. The drywall ceiling installer will use the protruding PR8-1624 lip (with attached backbox) as a router guide when installing the drywall.
7. After the drywall ceiling is installed and painted, attach leads on the speaker assembly to field wiring in the backbox using UL-approved splice connectors. Then mount the grille to the (4) Tinnerman clips in lip of the backbox using (4) 8-32 screws, which are typically provided with the speaker/grille assembly.

