

Volume control with priority relay (emergency bypass) and an adhesive dial scale for rackmount use provides precise level adjustment of single or multiple speaker lines.

FEATURES:

- Mono autoformer attenuator with rotary switch for use with 25V/70V/100V speaker line
- Priority Relay: (24VDC@15mA) relay for applications requiring capability to override (bypass) the attenuator with an emergency page or signal.
- 100W power rating
- Switch positions Off-10
- 3dB per step attenuation (33dB total, two steps of 6dB each before off)
- Phoenix style plug-in screw termination strips for pre-wire convenience
- Wire capacity to 14 gauge
- Includes control assembly with knob, and an adhesive label with dial scale and plastic window for a paper label.
- ETL Listed
- Assembled in the U.S.A.

A&E SPECIFICATIONS:

The volume control shall be Lowell model 100LVC-PA-RM, which shall have a 100W power rating and attenuation of 3dB per step with two steps of 6dB each before off. The volume control shall feature an emergency bypass (24VDC@15mA relay), rotary knob, and adhesive label with dial scale. The control shall be ETL Listed.

OPTIONS: (order separately)

- LVC8P-ID-2: 19" x 2U steel rackmount panel with eight punches to mount standard controls. Panel includes printing for volume levels so adhesive labels (included with some controls) are not needed.



100LVC-PA Series Summary (attenuators with priority relay)[†]

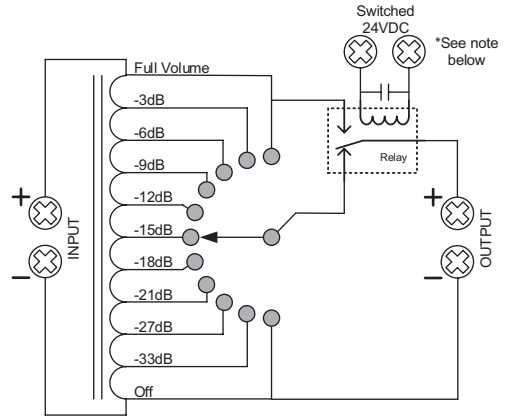
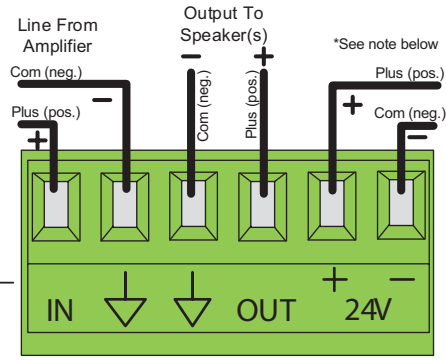
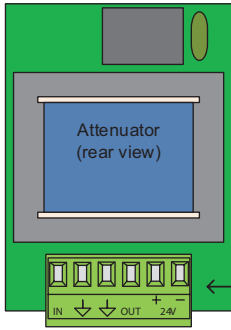
Model No.	Power Rating	Attenuation *	Type	Switch	Style	Color	For Use With
100LVC-PA	100W	3dB steps	Priority-trans	Rotary	Standard Wall Plate	SS	25V/70V/100V Speaker Line
100LVC-PA-SW	100W	3dB steps	Priority-trans	Rotary	Standard Wall Plate	White	25V/70V/100V Speaker Line
100LVC-PA-DA	100W	3dB steps	Priority-trans	Rotary	Decorator Wall Plate	Almond	25V/70V/100V Speaker Line
100LVC-PA-DB	100W	3dB steps	Priority-trans	Rotary	Decorator Wall Plate	Black	25V/70V/100V Speaker Line
100LVC-PA-DW	100W	3dB steps	Priority-trans	Rotary	Decorator Wall Plate	White	25V/70V/100V Speaker Line
100LVC-PA-RM	100W	3dB steps	Priority-trans	Rotary	Adhesive Label **	Black	25V/70V/100V Speaker Line

This spec ▶

[†] Note: For models without the priority relay, see the 100LVC Series (instead of the 100LVC-PA Series)

* 33dB total; two steps of 6dB each before off

** For rackmount panel



*Connect to switched 24VDC (15mA per unit, class 2 wiring).
When voltage is applied unit switches to full volume (priority mode)

