

Acoustic enclosure is made to direct-mount a standard 8" EIA speaker, allowing a heavier speaker to be used with a (non-loadbearing) torsion grille. The larger than average volume and acoustic treatment allow an 8" speaker to operate at optimum levels for improved low frequency response.

FEATURES:

- **Construction:** Welded, unitized 22-gauge steel with black powder epoxy finish
- **Dimensions:**
 - Diameter: 10.06" (can); 11.87" (enclosure flange)
 - Height: 10.06" (can); 0.688" (extended lip)
- **Volume:** 0.405 cu.ft.
- **Knockouts:** 1/2" knockouts for wire access and 1/2"-3/4" knockouts for conduit
- **Acoustic Lining:** 1-1/2" thick premium batting to minimize acoustic and mechanical resonance.
- **Mounting Aids:**
 - Enclosure flange has a lip that extends through ceiling material, making it ideal for sheetrock or plaster ceilings when installed before the drywall or plaster.
 - Speaker flange recessed in can (1.44") allows a speaker to screw-mount directly to it. The flange has receptacles to mount a (non-loadbearing) torsion grille.
 - An optional transformer can be field-mounted to an internal bracket, accessible through a rear-mounted plate (includes separate one-gang wire access panel and metal cable clamp). The plate includes holes for seismic anchoring.
 - Speaker mounting bolt circle 7.75" diameter
- **Country of Origin:** Made in U.S.A.

A&E SPECIFICATIONS:

The recessed enclosure shall be Lowell model IX810-EL, which shall be 22-gauge steel with black powder epoxy finish. Dimensions shall be 10.06" can diameter and 10.06" can depth. It shall feature a recessed speaker flange to direct-mount an 8" speaker, and an enclosure flange that extends through ceiling material 0.688". It shall have four knockouts (1/2") and four combination knockouts (1/2"–3/4") for wire and conduit, and an internal bracket to mount an optional transformer to be accessible through a rear mounted plate with a separate one-gang wire access panel and metal cable clamp. The enclosure shall be lined with 1-1/2" thick batting to minimize acoustic and mechanical resonance.

COMPATIBLE COMPONENTS (order separately):

- Speakers: 8" EIA
- Grilles (torsion): CN-8M, WB-8T
- Support Rails: SS24, SS30, SS48



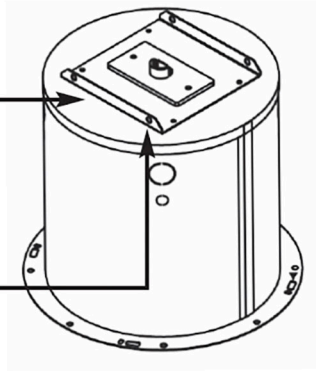
INSTALLATION: Recessed
FOR SPEAKER SIZE: 8" EIA
FOR GRILLE TYPE: Torsion

IX810 Series

Model No.	For Speaker Size	Can Diameter	Can Depth	Enclosure Flange	Volume	Material	Lining	Knockouts
IX810	8"	10.06"	10.06"	flat	0.405 cu.ft.	steel	1-1/2" batting	yes
▶ IX810-EL	8"	10.06"	10.06"	extended	0.405 cu.ft.	steel	1-1/2" batting	yes

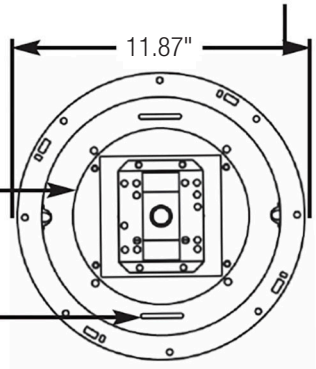
Rear cover plate will support an optional field-mounted transformer. It also includes a one-gang wire access plate with metal clamp for wiring.

Holes for seismic anchoring



Recessed speaker flange: 7.28" dia. opening for 8" speaker

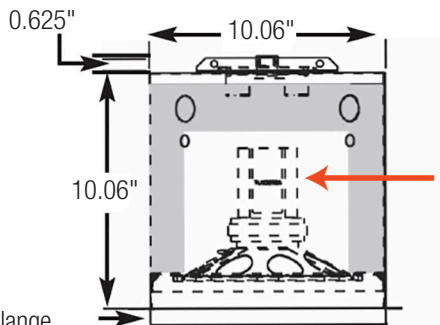
Receptacles to mount a torsion grille



Speaker mounting bolt circle 7.75" dia.

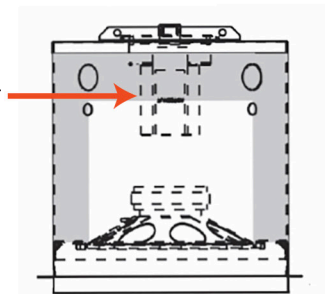
SIDE VIEWS

An optional field-mounted transformer can be mounted to a speaker or the enclosure.



Transformer mounted to speaker

Enclosure flange (lip) extends 0.688" through ceiling material.



Transformer mounted to plate in enclosure

