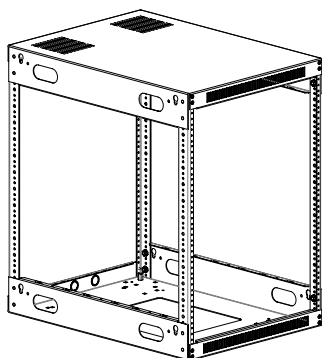




features.

- **Panel Space:** 14U or 24.50" [622]
- **Overall Height:** 28.34" [720]
- **Overall Depth:** 26.25" [667]
- **Overall Width:** 19.21" [586]
- **Description:** Slim open-frame rack for 19" equipment is made to fit where a standard rack may not, such as inside millwork or under a counter. A variety of options make it suitable for additional applications. Ships unassembled.
- **Construction:**
 - 14-gauge certified U.S. steel frame
 - 11-gauge corner post rails tapped 10-32. Bi-directional numbered RU increments allow rail installation in either direction.
 - Smooth black powder epoxy finish
 - Upper and lower front vents
 - Steel top with vents (top vents will accept an optional single fan kit).
 - Open sides with multiple obrounds for easy cable management
 - Large opening in base (10.50"W x 12.00"D)
 - Combination knockouts (1/2"–3/4") in rear for cable management
 - 3/8"-16 threaded T-nuts for (optional) leg levelers
- **Hardware:** Assembly and panel mounting hardware (hex nuts, flat-head screws)
- **Compliance:** EIA/TIA compliant. RoHS compliant.
- **Load Capacity:** 400 lbs.
- **Optional:**
 - Front door (LXR-FD Series)
 - Rear access cover that opens from top (#LXR-RAC14)
 - Side panels with vents (#SDV-1426)
 - Leg levelers (#LL)
 - Protective runner kit for slide-in applications (#PRK)
 - Zero space shelf for wide equipment (#LXR-NS26)
 - Mobile base w/non-locking swivel casters (#LXR-MB26)
 - Mobile base w/non-locking swivel casters for fine floors (#LXR-MB26F)
 - Set of 4 swivel casters, non-locking (#LXR-C3S)
 - Set of 4 swivel casters, 2 locking (#LXR-C3SL)
 - Set of 4 swivel casters for fine floors, non-locking (#LXR-C3SF)
 - Set of 4 swivel casters for fine floors, 2 locking (#LXR-C3SFL)

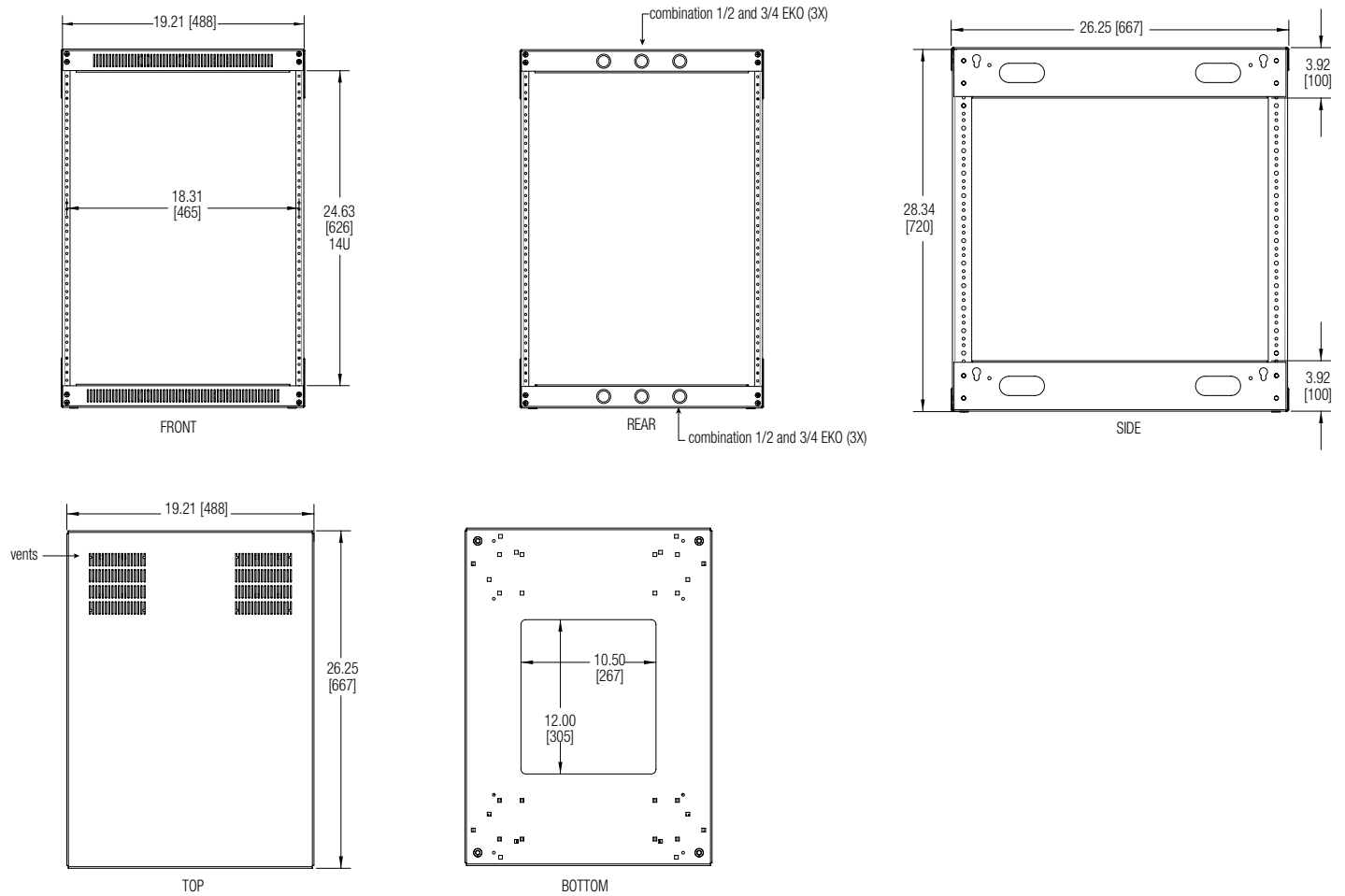


a&e specifications.

The EIA/TIA compliant 19" equipment rack shall be Lowell model #LXR-1426 with overall dimensions of 28.34"H x 26.25"D x 19.21"W and usable height of 14 rack units. Rack construction shall be certified U.S. steel—16-gauge frame with 14-gauge corner post rails tapped 10-32—with smooth black powder epoxy finish. It shall feature combination knockouts (1/2"–3/4") in the rear and side obrounds for cable management. The bottom opening shall measure 10.50" x 12.00". The rack shall be manufactured in the U.S.A. with a load capacity of 400 lbs. It shall ship unassembled.

Optional

- The rack shall include solid steel front door with key lock model #LXR-FD14.
- The rack shall include smoked plexiglass surface-mount front door with key lock model #LFD-14P.
- The rack shall include rear access cover with key lock model #LXR-RAC14.
- The rack shall include a pair of side panels model #SDV-1426.
- The rack shall include a set of four leg levelers model #LL.
- The rack shall include protective runner kit for slide-in applications model #PRK.
- The rack shall include zero space shelf model #LXR-NS26.
- The rack shall include a mobile base with swivel casters model #LXR-MB26, which shall raise rack height 3.95".
- The rack shall include a mobile base with fine floor swivel casters model #LXR-MB26F, which shall raise rack height 4.06".
- The rack shall include a set of 4 swivel casters (non-locking) model #LXR-C3S.
- The rack shall include a set of 4 swivel casters (2-locking) model #LXR-C3SL.
- The rack shall include a set of 4 swivel casters with fine-floor tread (non-locking) model #LXR-C3SF.
- The rack shall include a set of 4 swivel casters with fine-floor tread (2-locking) model #LXR-C3SFL.



LXR series summary

Model No.	Rack Units	Overall Depth	Overall Height	Usable Height	Overall Width	Bottom Opening Depth	Bottom Opening Width	Corner Post Rails	Side Brackets
LXR-821	8 U	21.00 [533]	17.84 [453]	14.00 [356]	19.21 [488]	9.00 [229]	10.50 [267]	4	----
LXR-1421	14 U	21.00 [533]	28.34 [720]	24.50 [622]	19.21 [488]	9.00 [229]	10.50 [267]	4	----
LXR-2221	22 U	21.00 [533]	42.34 [1075]	38.50 [978]	19.21 [488]	9.00 [229]	10.50 [267]	4	----
LXR-3021	30 U	21.00 [533]	56.34 [1431]	52.50 [1334]	19.21 [488]	9.00 [229]	10.50 [267]	4	2
LXR-3821	38 U	21.00 [533]	70.34 [1787]	66.50 [1689]	19.21 [488]	9.00 [229]	10.50 [267]	4	2
LXR-4421	44 U	21.00 [533]	80.84 [2053]	77.00 [1956]	19.21 [488]	9.00 [229]	10.50 [267]	4	2
LXR-826	8 U	26.25 [667]	17.84 [453]	14.00 [356]	19.21 [488]	12.00 [305]	10.50 [267]	4	----
LXR-1426	14 U	26.25 [667]	28.34 [720]	24.50 [622]	19.21 [488]	12.00 [305]	10.50 [267]	4	----
LXR-2226	22 U	26.25 [667]	42.34 [1075]	38.50 [978]	19.21 [488]	12.00 [305]	10.50 [267]	4	----
LXR-3026	30 U	26.25 [667]	56.34 [1431]	52.50 [1334]	19.21 [488]	12.00 [305]	10.50 [267]	4	2
LXR-3826	38 U	26.25 [667]	70.34 [1787]	66.50 [1689]	19.21 [488]	12.00 [305]	10.50 [267]	4	2
LXR-4426	44 U	26.25 [667]	80.84 [2053]	77.00 [1956]	19.21 [488]	12.00 [305]	10.50 [267]	4	2

Rack dimensions (rounded) – inches and [mm]; 1U = 1.75"