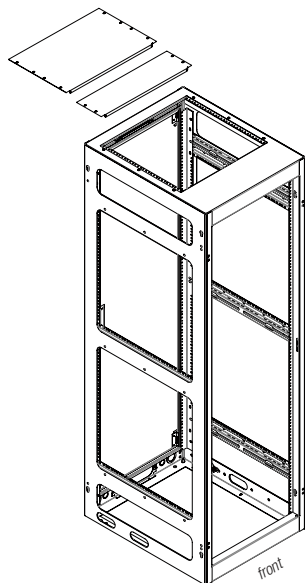




### features . . . . .

- **Panel Space:** 37U or 64.75" [1645]
- **Overall Height:** 70.875" [1800]
- **Overall Depth:** 27.00" [686]
- **Overall Width:** 22.00" [559]
- **Construction:** Fully welded certified U.S. steel, 16-gauge frame with seamless side frame construction, 14-ga. top, and 14-ga. bottom reinforced at load-bearing junctions for robust support, strength equivalent to 11-ga. steel. Black wrinkle powder epoxy finish. Beveled edge corners front and rear.
- **Front:** Frame nutserts are ready to add optional surface-mount door (left or right swing). Order front door separately.
- **Rear:** Removable knockout panel in frame above and below door. Combination EKO's for conduit (1/2"–3/4" and 1"–1-1/2") and KO's for wireless antennae (1/2"). Standard model includes recessed rear door with key lock (left or right swing).
- **Sides (open access):** Obround openings along base for cabling between racks. Optional side panel increases overall width 1" per side.
- **Configurable Top (with closure panels):** 10U opening features riveted 10-32 threaded rails on 19" E.I.A. spacing. Includes two black closure panels (3U, 7U) which can be replaced with optional 19" panels (fan, vent, etc.).
- **Bottom (open access):** Includes 10-32 threaded grounding stud in corner, 3/8"-16 threaded T-nuts for (optional) leg levelers, and holes for anchor bolts (by others). Opening is 22.88"D x 18.89"W.
- **Rails (fully adjustable):** Two pairs of 11-ga. steel 10-32 threaded rails on E.I.A. spacing with numbered RU increments (rails mount in either direction). Black finish. Clearance for wire management from front rail to outside frame (1.5") and from front rail to (optional) surface-mount door (2.25").
- **Hardware:** Black pilot point screws with captive washers for quick installation. (50)
- **Compliance:** EIA/TIA compliant. RoHS compliant. UL 2416 Listed in U.S.A. and Canada.
- **UL Listed Load Capacity:** 3150 lbs. [1429 kg]
- **Optional:**
  - Front door
  - Side panels
  - Mobile base
  - Additional rails
  - Leg levelers
  - Ganging hardware



The rack includes a rear door and top closure panels. A front door is optional, order separately.

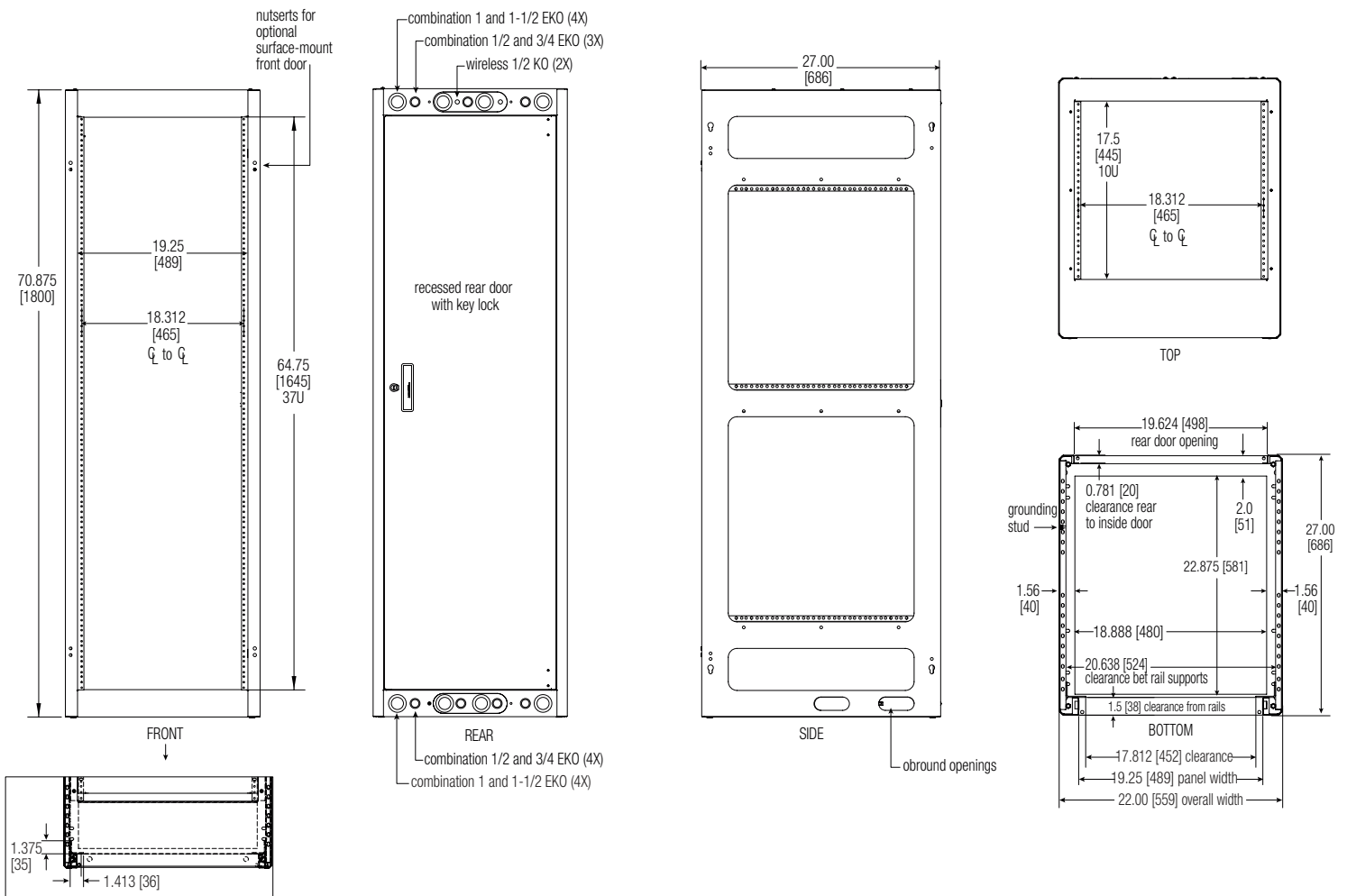
### a&e specifications . . . . .

The EIA/TIA compliant 19" gangable equipment rack shall be Lowell model #LGNR-3727 with overall dimensions of 70.875"H x 27.00"D x 22.00"W; usable height of 37 rack units, and usable depth of 24.34". Rack construction shall be fully welded certified U.S. steel with 16-gauge steel frame, 14-ga. top, and 14-ga. bottom reinforced at load-bearing junctions, all with black wrinkle powder epoxy finish. Open sides shall feature obround openings along bottom rear. The rack shall include a recessed rear door with key lock, combination knockouts for conduit wiring above and below door (1/2"–3/4" and 1"–1-1/2" EKO's), and knockouts for wireless antennae (1/2" KO's). The front shall feature provisions to accept an (optional) surface-mount door with left or right hand swing. The top shall feature a 10U opening with riveted 10-32 threaded rails on 19" E.I.A. spacing and solid closure panels (3U, 7U). Rack bottom shall have an opening measuring 22.88" x 18.89" and include a grounding stud. Rack shall include 2 pairs of adjustable 11-gauge steel rails tapped 10-32 on 19" E.I.A. spacing with black finish and numbered rack unit increments. The UL 2416 Listed rack shall be manufactured in the U.S.A. with a UL Listed load capacity of 3150 lbs.

#### Optional

- The rack shall include a solid steel surface-mount front door with key lock model #LFD-37.
- The rack shall include a smoked plexiglass surface-mount front door with key lock model #LFD-37P.
- The rack shall include a fully-vented surface-mount front door with key lock model #LFD-37FV.
- The rack shall include 1-pr. solid side panels model #SDP-3727.
- The rack shall include mobile base model #LMNB-27, which shall add 1.25" to height.
- The rack shall include an additional pair of 37U mounting rails model RRRN-37.
- The rack shall include a set of four leg levelers model #LL.
- The rack shall include ganging hardware model #RGH-40.





### LGNR series summary

Model No.	Rack Units	Overall Depth	Usable Depth	Overall Height	Usable Height	Overall Width	Top Opening	Bottom Opening Depth	Bottom Opening Width	Adj. Rails
LGNR-2427	24 U	27.00 [686]	24.34 [618]	48.13 [1222]	42.13 [1070]	22.00 [559]	10 U	22.88 [581]	18.89 [480]	2 pr
<b>▶ LGNR-3727</b>	<b>37 U</b>	<b>27.00 [686]</b>	<b>24.34 [618]</b>	<b>70.88 [1800]</b>	<b>64.75 [1645]</b>	<b>22.00 [559]</b>	<b>10 U</b>	<b>22.88 [581]</b>	<b>18.89 [480]</b>	<b>2 pr</b>
LGNR-4027	40 U	27.00 [686]	24.34 [618]	76.13 [1934]	70.13 [1781]	22.00 [559]	10 U	22.88 [581]	18.89 [480]	2 pr
LGNR-4427	44 U	27.00 [686]	24.34 [618]	83.13 [2111]	77.00 [1956]	22.00 [559]	10 U	22.88 [581]	18.89 [480]	2 pr
LGNR-2432	24 U	32.00 [813]	29.34 [745]	48.13 [1222]	42.13 [1070]	22.00 [559]	10 U	27.88 [708]	18.89 [480]	2 pr
LGNR-3732	37 U	32.00 [813]	29.34 [745]	70.88 [1800]	64.75 [1645]	22.00 [559]	10 U	27.88 [708]	18.89 [480]	2 pr
LGNR-4032	40 U	32.00 [813]	29.34 [745]	76.13 [1934]	70.13 [1781]	22.00 [559]	10 U	27.88 [708]	18.89 [480]	2 pr
LGNR-4432	44 U	32.00 [813]	29.34 [745]	83.13 [2111]	77.00 [1956]	22.00 [559]	10 U	27.88 [708]	18.89 [480]	2 pr
LGNR-4036	40 U	36.00 [914]	33.34 [847]	76.13 [1934]	70.13 [1781]	22.00 [559]	10 U	31.88 [810]	18.89 [480]	2 pr
LGNR-4436	44 U	36.00 [914]	33.34 [847]	83.13 [2111]	77.00 [1956]	22.00 [559]	10 U	31.88 [810]	18.89 [480]	2 pr

Rack dimensions (rounded) – inches and [mm]; 1U = 1.75"

