



MADE IN  
U.S.A.



CERTIFIED  
U.S. STEEL

**INSTALLATION:** Surface-mount  
**FOR SPEAKER SIZE:** 8" EIA

Surface-mount steel wall baffle with sloped front is for installation of a single 8" speaker driver. Includes enclosure and grille. Order speaker driver separately.

### FEATURES:

- **Construction:** Steel enclosure with sloped front and white powder epoxy finish.
- **Grille:** Steel screw-mount grille with beveled edge and circular perforation pattern is set at an angle when mounted to the enclosure. White powder epoxy finish.
- **Dimensions:** 11.3"H x 11.5"W
- **Depth:** 5.29" (top), 3.05" (bottom)
- **Volume:** 541.9 cu.in.
- **Mounting Bolt Circle:** 7.625" diameter
- **Knockouts:** Top/bottom knockouts for 500 Series wiremold
- **Installation:** Universal mounting hole pattern in rear allows easy installation to a 4" square, 4" octagon, 1-gang or 2-gang box.
- **Country of Origin:** Made in the U.S.A. with certified U.S. steel
- **Hardware (included):**
  - (4) 8-32 hex nuts to mount an 8" speaker to studs on the grille.
  - (4) 8-32 x 1.5" Phillips Truss-head screws (white) to mount the grille to an enclosure.
- **A&E Specifications:** The steel baffle with sloped front and white powder epoxy finish for indoor surface-mount applications shall be Lowell model DSL-8, which shall measure 11.3"H x 11.5"W x 5.29"D at the top. The enclosure shall feature wiremold knockouts on top/bottom and a universal mounting hole pattern in the rear. The grille shall feature a circular perforation pattern.

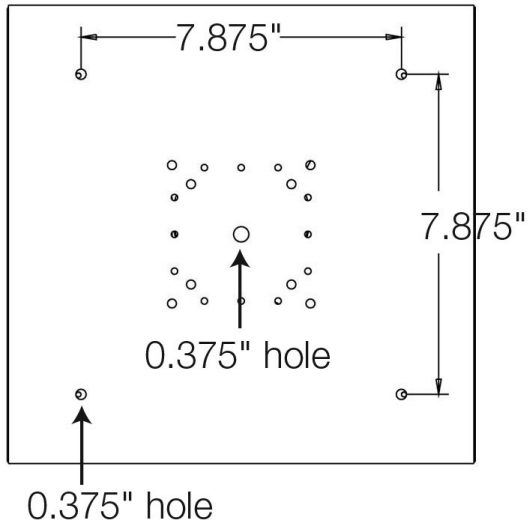
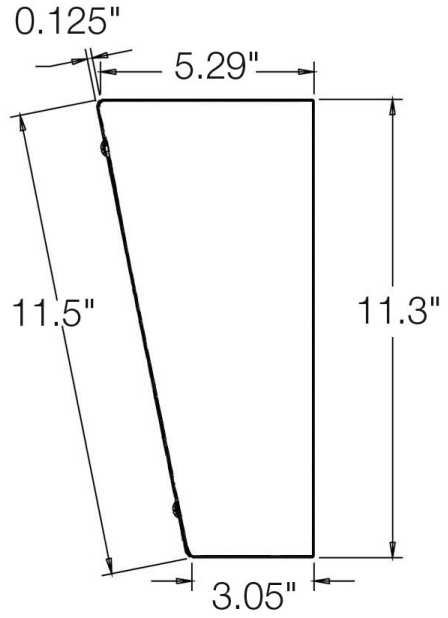
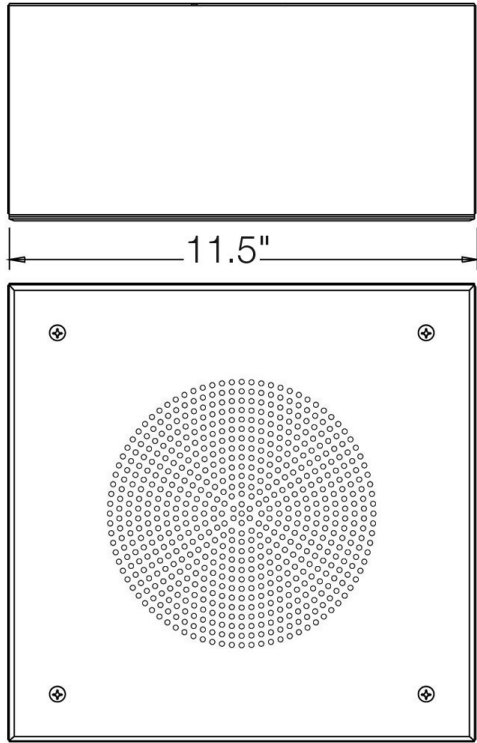
### COMPATIBLE COMPONENTS (order separately):

- Speakers: Standard 8" EIA speaker

### Model Summary

Model No.	For Speaker Size	Grille (included)	Size	Depth	Volume	Material	Color
DSL-8	8"	Screw-mount	11.3" x 11.5"	5.29" (at top)	541.9 cu.in.	Steel	White





Measurements are inches unless noted otherwise.

