



INSTALLATION: Recessed

FOR SPEAKER SIZE: 8" EIA

FOR GRILLE TYPE: Screw-mount or torsion

Recessed steel enclosure with black finish is made for use with screw-mount or torsion grilles and 8" speakers. The enclosure features two welded straps and is ideal for suspended tile ceilings.

FEATURES:

- **Construction:** Welded unitized 22-gauge certified U.S. steel with black powder epoxy finish
- **Diameter:** 10.06" can dia. (11.874 overall)
- **Depth:** 4.06"
- **Volume:** 0.187 cu.ft.
- **Knockouts:** Four combination knockouts for conduit (1/2"–3/4"); four knockouts for wire (1/2")
- **Acoustic Lining:** Foam pad in bottom
- **Installation:**
 - Two welded straps for hanging or use as restraint tabs
 - Welded receptacles will accept torsion grilles for a hardware-free appearance
 - 8-32 U-clips will accept screw-mount grilles
 - Grille mounting bolt circle 11.25" dia.
- **Country of Origin:** Made in U.S.A.
- **A&E Specifications:** The recessed enclosure for torsion or screw-mount grilles and 8" speakers shall be Lowell model XCP84-S, which shall be certified U.S. steel with black powder epoxy finish with 10.06" can diameter and 4.06" depth, and two welded straps. It shall feature four (1/2"–3/4") compound knockouts for conduit, four (1/2") knockouts for wire, and a foam pad liner in the bottom. It shall be made in the U.S.A.

COMPATIBLE COMPONENTS: (order separately)

- **Drivers:** 8" EIA. This enclosure not for use with Lowell driver 8A50 or 8P100.
- **Grilles (screw-mount):** A8-AW, CS-8H, LO8-P, RS8-AW, WB-8
- **Grilles (torsion):** CN-8M, WB-8T. Torsion grilles accept maximum driver/transformer weight of 3.5 lbs. (typically a driver with up to 10 oz. magnet).
- **Tile-bridges:** LBS8-R1, LBS8. When installed in a suspended tile ceiling, T-bridge LBS8-R1 is recommended to transfer the weight of the speaker assembly to the ceiling grid (8-32 screws to be provided by installer). T-bridge model LBS8 can also be used.

XCP Series Summary

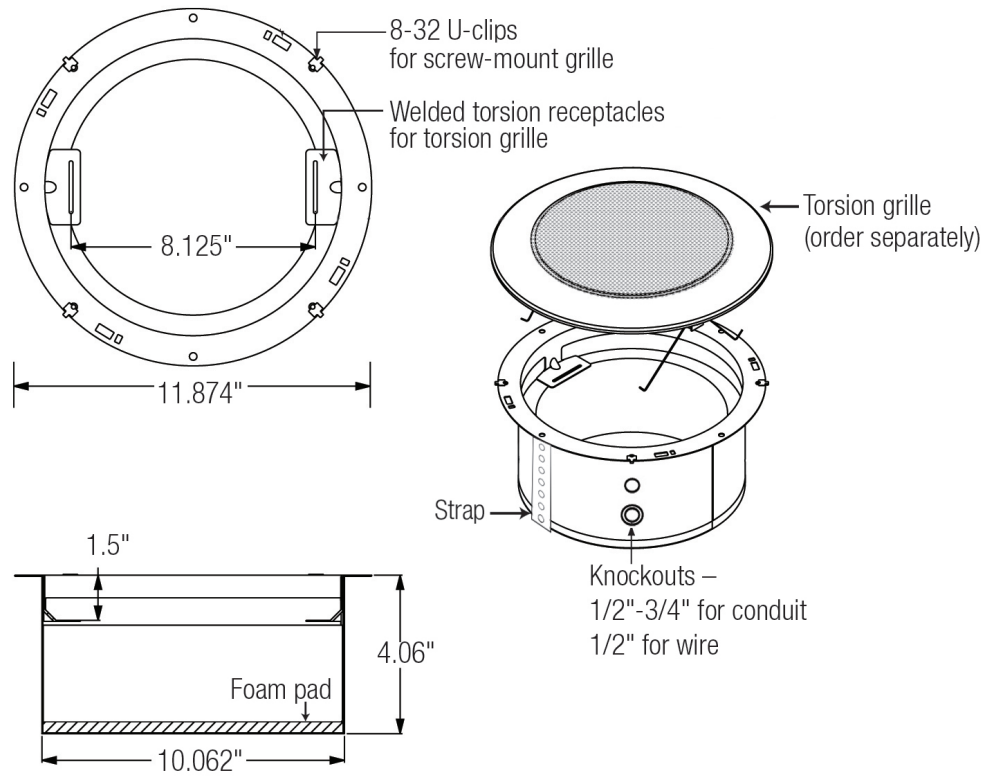
Model No.	For Speaker Size	Diameter	Depth	Volume (cu.ft.)	Undercoating	Lining	Conduit Knockouts	Wire Knockouts	Straps
XCP84 †	8"	10.06"	4.06"	0.187	---	foam pad	4	4	---
▶ XCP84-S †	8"	10.06"	4.06"	0.187	---	foam pad	4	4	2
XCP87 *	8"	10.06"	6.69"	0.308	---	1-1/2" batting	4	4	---
XCP810	8"	10.06"	10.06"	0.463	---	1-1/2" batting	4	4	---
XCP1210 **	12"	14.375"	10"	0.9	---	1-1/2" batting	4	---	---

† Note depth of driver to check fit and consider better bass response may be obtained by using an enclosure with greater depth.

* When driver/grille WB8-8A50-T870 is used with enclosure XCP87 the assembly is UL Listed (UL1480 5th edition general signaling, UL2043 for use in plenum space).

** Overall depth with rear stiffening bracket is 10.5". The XCP1210 is not for use with Lowell driver model 12Q250.





Grille mounting bolt circle: 11.25" dia.

