



**INSTALLATION:** Surface-mount  
**FOR SPEAKER SIZE:** 4" (EIA 5")  
**FOR GRILLE TYPE:** Screw-mount

Surface-mount steel enclosure for ceiling or wall installation is designed to mount a screw-mount grille with a standard 4" (EIA 5") speaker. The clean square format is ideal for schools, offices, restaurants, hotels and similar venues.

### FEATURES:

- **Construction:** Precision formed 20-gauge certified U.S. steel with white powder epoxy finish. Welded seams.
- **Dimensions:** 7.125" square
- **Depth:** 4.25"D
- **Volume:** 0.125 cu.ft.
- **Installation:**
  - Front formed flanges with U-clips will accept a 7" square screw-mount grille.
  - Universal mounting pattern in rear for installation to 4"square, 4"octagon, 1-gang or 2-gang electrical box (not included).
  - *Note: A speaker would mount to a (screw-mount) grille. The grille would then mount to this enclosure. Order speaker and grille separately.*
- **Knockouts:**
  - Rear hole with grommet (0.375") for wire access
- **Acoustic Treatment:**
  - 1/4" thick foam pad
- **Country of Origin:** Made in U.S.A.
- **A&E Specifications:** The surface-mount enclosure for use with 4" speakers shall be Lowell model CB44, which shall be fabricated U.S. steel with white powder epoxy finish, 7.125" square x 4.25" deep. The enclosure shall feature a rear hole (.375" dia.) with grommet for wire access, and provisions to mount to an electrical box (4" square, 4" octagon, 1-gang or 2-gang – not included). It shall also feature four mounting holes and 8-32 U-clips at flanged corners to accept a screw-mount grille. The unit shall have a 1/4" thick foam pad.

### COMPATIBLE COMPONENTS (order separately):

- Speakers: 4" (EIA 5")
- Speaker+Grille Assembly: D6410-72
- Grille (screw-mount): SG-4

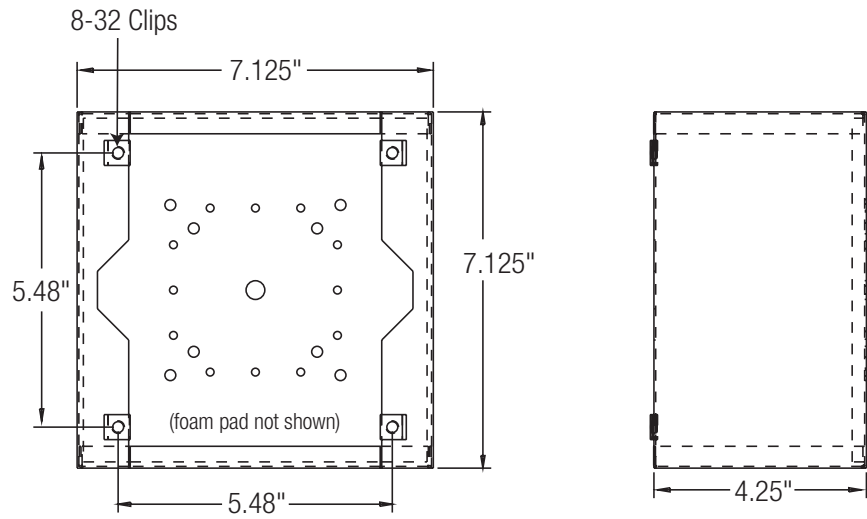
### CB series summary

| Model No.   | For Speaker Size  | Width x Length       | Depth        | Volume              | Lining          | Rear Mtg Pattern | Side Knockouts | Fits Grille    |
|-------------|-------------------|----------------------|--------------|---------------------|-----------------|------------------|----------------|----------------|
| <b>CB44</b> | <b>4"</b>         | <b>7.125" square</b> | <b>4.25"</b> | <b>0.125 cu.ft.</b> | <b>foam pad</b> | <b>universal</b> | <b>----</b>    | <b>SG-4</b>    |
| CB84        | 8"                | 12.31" square        | 4.0"         | 0.351 cu.ft.        | batting         | universal        | yes            | JG-8X, SQLK-8L |
| CB84-SG     | 8"                | 11.5" square         | 4.0"         | 0.306 cu.ft.        | batting         | universal        | yes**          | SG-8, IC-105A  |
| CB84-SGVP   | 8"                | 11.5" square         | 4.0"         | 0.306 cu.ft.        | batting         | universal        | ----           | SG-8VP         |
| CB86-6      | 8" or LUH Series* | 9.56" square         | 5.94"        | 0.31 cu.ft.         | batting         | universal        | ----           | SQLK-8L        |
| CB88        | 8"                | 12.56" square        | 7.94"        | 0.73 cu.ft.         | batting         | universal        | ----           | JG-8X          |

\* Must use SQLK-8L grille

\*\* For 500 Series Wiremold® (registered trademark of The Wiremold Co.)





Universal hole pattern on rear for  
4" square, 4" octagon, 2-gang or  
1-gang E.O. box.

