

for use with Lowell Unihorn™ model #LUH-15T or #LUH-15TA



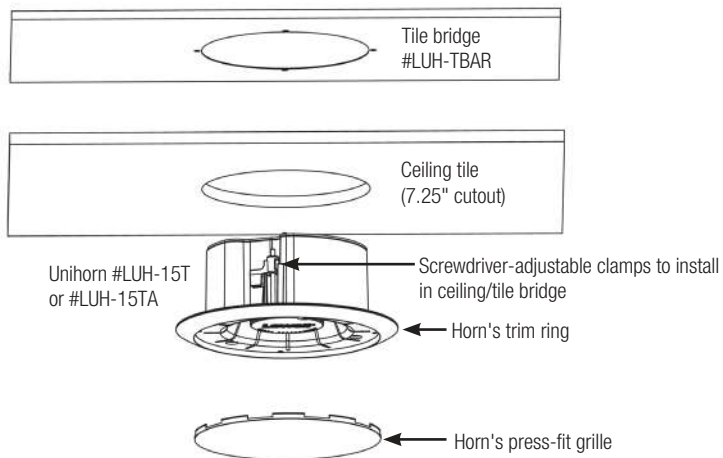
### features . . . . .

- **Description:** A tile bridge is often required by local building codes for safety reasons as well as aesthetics to reduce the potential of tile ceilings sagging from the weight of speakers. This T-bar is engineered to distribute the weight of specified models in Lowell's Unihorn™ LUH Series, to the ceiling support system when installed in a suspended 2' x 2' or 2' x 4' tile ceiling. The horn installs to the tile bridge with screwdriver-adjustable clamps.
- **Construction:**
  - Formed construction is lightweight with rigid support, 22-gauge galvanized steel
  - 23.75" x 12.10" x 0.437"
  - Center opening: 7.25" diameter
  - Made in the U.S.A.
- **Compatibility:**
  - Designed for use with Lowell Unihorn model #LUH-15T or #LUH-15TA, with or without the press-fit grille, or with Lowell vandal-resistant grille #LUH-VRG. Order horns and accessories separately.

### a&e specifications . . . . .

Tile tile bridge shall be Lowell Model #LUH-TBAR. It shall measure 23.75"L x 12.10"W and have a round center opening with a 7.25" diameter. It shall be formed from 22-gauge galvanized steel, engineered to support and distribute the weight of Lowell Unihorn model #LUH-15T or #LUH-15TA (ordered separately), to the ceiling support system in a 2' x 2' or 2' x 4' suspended ceiling installation.

### typical installation . . . . .



### technical drawings

Measurements are inches and [mm] unless stated otherwise.

