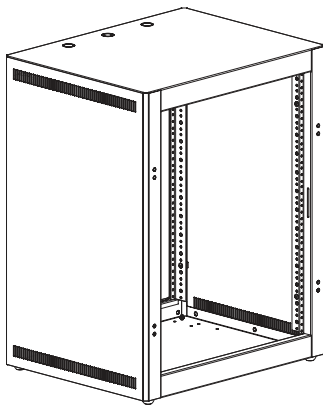




features.

- **Panel Space:** 14U or 24.50" [622]
- **Overall Height:** 28.88" [734]
- **Overall Depth:** 18.18" [462]
- **Usable Depth:** 17.20" [437]
- **Overall Width:** 23.06" [586]
- **Description:** Basic stand-alone rack with welded sides, top, and base is ideal for electronics kept near at hand, such as on a counter or desk.
- **Construction:** Fully welded 16-gauge certified U.S. steel with 11-gauge mounting rails. Black wrinkle powder epoxy finish. Beveled corners.
- **Installation:** Rubber feet help protect desk or counter surface. Feet add 0.5" to overall height.
- **Mounting Rails (fixed position):** Includes 2 pair 11-gauge steel rack rails with black finish, numbered rack unit increments, and mounting holes tapped 10-32. Front rails are recessed 0.83" from frame (providing 1.82" equipment clearance when optional front door is added).
- **Cable Management:** Rack top and bottom feature 3 combination (1/2" and 3/4") EKO for conduit.
- **Hardware:** Pilot point screws with captive washers.
- **Compliance:** EIA/TIA compliant. RoHS compliant.
- **Load Capacity:** 150 lbs.
- **Optional:**
 - Surface-mount front door with key lock: solid steel, fully vented steel, or smoked plexiglass. (#LFD-14, #LFD-14FV, #LFD-14P)
 - Rear access cover (opens from top) with key lock. (#LDTR-RAC14)
 - Rail conversion bracket converts fixed position rails to adjustable, allowing them to be positioned deeper into the rack. (#RRTBF)
 - Protective runner kit: Set of 4 plastic glides helps protect desk/counter surface in slide-in applications. (#PRK)
 - Casters: Set of 4 swivel casters adds 2.5" to overall rack height. (#C2S)

a&e specifications.



The E.I.A./T.I.A. compliant rack shall be Lowell #LDTR-1418 with overall dimensions of 23.06"W x 18.18"D x 28.88"H, usable height of 14 rack units and usable depth of 17.20". Rack construction shall be fully welded certified U.S. steel with 16-gauge top, base and sides with beveled corners and black wrinkle powder epoxy finish. Sides shall feature upper and lower vents; top and bottom shall feature knockouts for cable management. The rack shall include 2 pairs of 11-gauge steel fixed-position mounting rails tapped 10-32 on 19" E.I.A. spacing with black finish and numbered rack unit increments. A set of protective rubber feet that add 0.5" to overall height shall also be included. Rack load capacity shall be 150 lbs.

- The rack shall include a _____ (solid steel, fully vented steel, smoked plexiglass) surface-mount front door with key lock, Lowell _____ (#LFD-14, #LFD-14FV, #LFD-14P).
- The rack shall include a bracket to convert fixed position rails to adjustable, allowing them to be positioned deeper into the rack, Lowell #RRTBF.
- The rack shall include a set of 4 plastic glides to help protect desk surface, Lowell #PRK.
- The rack shall include a set of 4 swivel casters (adding 2.5" to overall height), Lowell #C2S.

Optional

- The rack shall include a rear access cover that opens from the top with key lock, Lowell #LDTR-RAC14.

LDTR series summary

Model No.	Panel Space	Overall Depth	Usable Depth	Overall Height	Usable Height	Overall Width	Fixed Rails	Load Capacity
LDTR-718	7 U	18.18 [462]	17.20 [437]	16.63 [422]	12.25 [311]	23.06 [586]	2 pr	150 lbs
LDTR-1018	10 U	18.18 [462]	17.20 [437]	21.88 [556]	17.50 [445]	23.06 [586]	2 pr	150 lbs
LDTR-1218	12 U	18.18 [462]	17.20 [437]	25.38 [645]	21.00 [533]	23.06 [586]	2 pr	150 lbs
▶ LDTR-1418	14 U	18.18 [462]	17.20 [437]	28.88 [734]	24.50 [622]	23.06 [586]	2 pr	150 lbs
LDTR-1618	16 U	18.18 [462]	17.20 [437]	32.38 [822]	28.00 [711]	23.06 [586]	2 pr	150 lbs

Rack dimensions (rounded) – inches and [mm]; 1U = 1.75"



