

## Sound Masking Speaker #SM805A

includes speaker, transformer, enclosure, grille, hangers w/chain for sound masking applications



Back



Pre-mounted hangers

In general, the purpose of a sound masking system is to provide for greater conversational privacy and productivity, in an open-office environment, by adding ambient noise and shaping the noise signal to mask speech. The noise signal is fed from a specially designed sound masking generator, and amplifier, to sound masking speakers. These speakers are typically positioned out-of-sight above ceiling tiles in plenum space, although speakers with white enclosures are sometimes used in open architecture truss type ceilings. Sound masking speakers, generators, and amplifiers are sold separately.

### features.

- **Description:** Model #SM805A ships ready to install and features an 8" dual cone driver, wired transformer, black steel enclosure with grille, and mounting hardware which includes wire hangers, S-hooks, and a chain.
- **Features:**
  - **Driver w/transformer:** 8" 12W dual cone driver with 70V 4W factory-wired transformer. Primary taps: 0.25, 0.5, 1, 2, 4W. An externally accessible rotary knob allows convenient tap selections, especially useful when balancing the masking speaker system.
  - **Enclosure w/grille:** The 325 cu.in. enclosure and grille are certified U.S. steel with black powder epoxy finish. The installer-friendly speaker features externally accessible leads at a single gang handibox cover with 1/2" Romex connector located on the back of the enclosure.
  - **Mounting hardware:** Pre-mounted wire hangers promote fast installation with easy positioning of the speaker for upward sound dispersion. Hangers are formed of rigid, plated wire for stable, kink-free suspension from the structural deck using S-hooks and 4' chain (included).

*Note: Rigging hardware, to attach the chain to the deck or other building structure, is not included and is to be furnished by the installer. The masking speaker system must be mounted in accordance with local, state, and federal codes and regulations and industry standard practices.*

#### Model #SM805A:

- UL1480A (USA)
- UL2043 Return Air Plenum Space
- CSA G22.2 No. 205-12 (Canada)

- **A&E Specifications:** The sound masking speaker assembly for suspended ceiling installation shall be Lowell Model #SM805A, which shall include an 8" 12W dual cone driver with 70V factory-wired transformer having primary taps at 0.25, 0.5, 1, 2, and 4 watts. The 325 cu.in. steel enclosure with grille shall have a black powder epoxy finish. The assembly shall include an externally accessible rotary switch to adjust tap selections. Speaker leads shall exit through a strain relief clamp on a single gang handibox cover on the rear of the enclosure. Wire hangers shall be factory-mounted to position the speaker for upward sound dispersion. Installation hardware shall include pre-mounted wire hangers with S-hooks and a 4' chain. The speaker shall be made in the U.S.A. with certified U.S. steel and global components.

*Rigging hardware, to attach the chain to the deck or other building structure, shall be furnished by the installer.*

### SM Series Summary

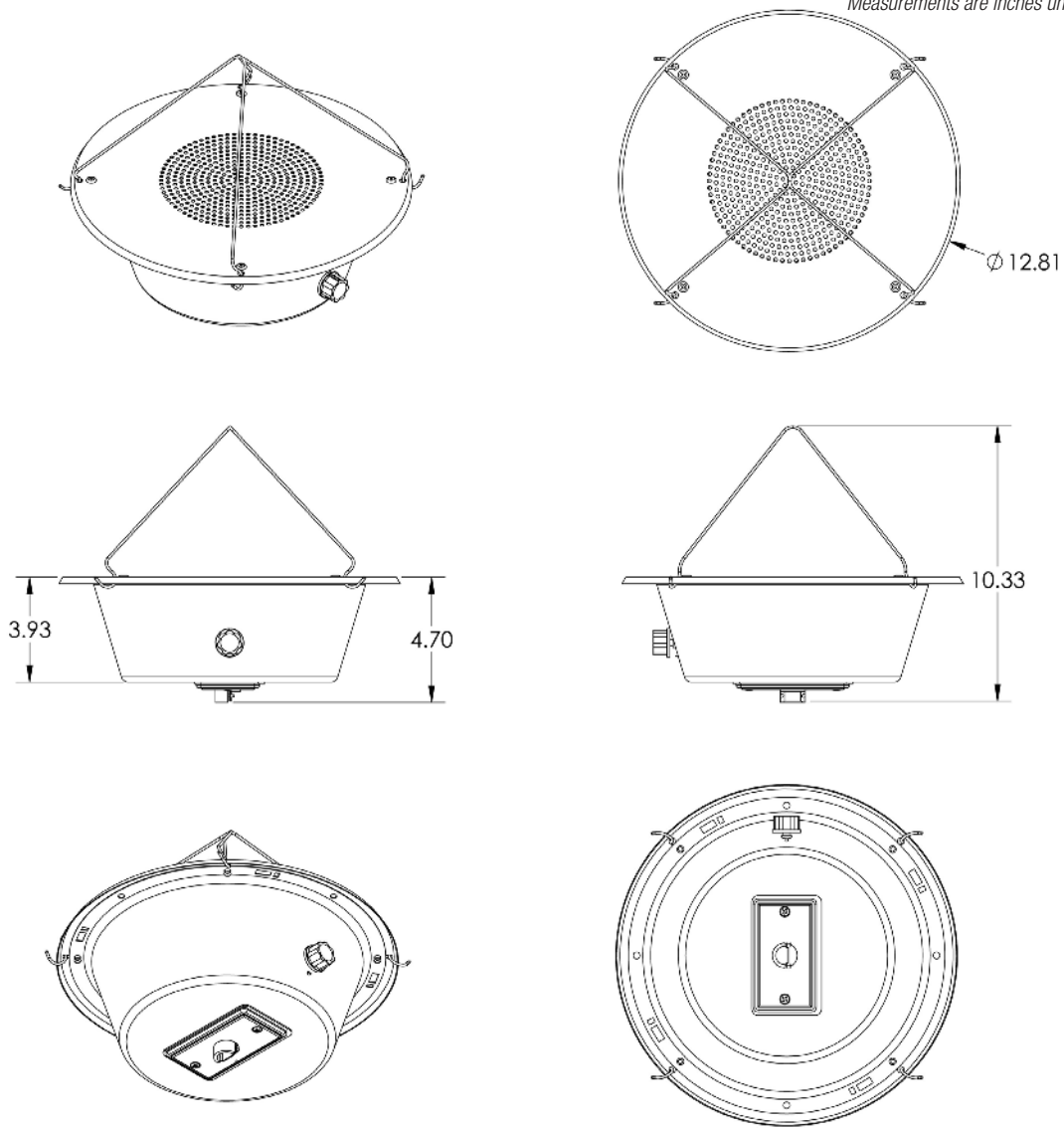
Model No.	Driver	Transformer	Enclosure Size	Enclosure Style	Enclosure Color	Grille Color	Mtg. Aids
SM820A	8" 50W coaxial	70V 4W	760 cu.in.	Square	Black	Black	Hangers, S-hooks, chain
SM820A-BR	8" 50W coaxial	70V 4W	760 cu.in.	Square	Black	Black	Bridge rails
SM810A	8" 15W dual cone	70V 4W	760 cu.in.	Square	Black	Black	Hangers, S-hooks, chain
SM810AW	8" 15W dual cone	70V 4W	760 cu.in.	Square	White	White	Hangers, S-hooks, chain
SM810A-BR	8" 15W dual cone	70V 4W	760 cu.in.	Square	Black	Black	Bridge rails
SM410A	4" 15W single cone	70V 4W	760 cu.in.	Square	Black	Black	Hangers, S-hooks, chain
SM410A-BR	4" 15W single cone	70V 4W	760 cu.in.	Square	Black	Black	Bridge rails
▶ SM805A	8" 12W dual cone	70V 4W	325 cu.in.	Round	Black	Black	Hangers, S-hooks, chain

*Note: Speakers with white enclosures or factory-mounted bridge rails are made to order. All square speaker assemblies feature pre-drilled pilot holes to allow field installation of bridge rails #SM-BR, which include 6 black sheet metal screws. If field-installing bridge rails, remove wire hangers to prevent rattling.*



### drawings

Measurements are inches unless noted otherwise.



**Code Note:** The masking speaker system must be mounted in accordance with local, state, and federal codes and regulations and industry standard practices. In some areas of the country, code may require that the masking speaker be physically attached to the ceiling grid. In that case, sheet metal screws (furnished by the installer) may be attached through holes provided in end caps of SM-BR bridge rails through the ceiling grid. In other areas, code may require seismic restraint cables be installed between the building structure and masking speaker. Holes are also provided in SM-BR rails to attach seismic restraint cables to the speaker assembly (restraint cables and hardware to be furnished by the installer).