



Model FW1-KIT

Kit for single 4.7" [119mm] diameter fan with 50cfm airflow rating and quiet 28dBA noise rating is great for spot cooling. The cast aluminum housing is 4.7" square x 1.5"D [120mm square x 38mm]. It includes a fan guard and standard black cord.

### FEATURES

- Made in the U.S.A. with domestic and foreign components.
- Cast aluminum housing with black finish
- Includes 6-ft. [1829mm] standard cord.
- Mount to vent pattern of Lowell side panels for quick field installation without drilling.
- Fan Diameter: 4.7" [120mm]
- Airflow Rating: 50 cfm
- Noise Rating: 28 dBA
- Power Required: 5.5 watts

### OPTIONAL

- Model No. FW-FF: Filter for 4.7" [120mm] diameter fan



Optional: Fan filter, model FW-FF.

### A & E SPECIFICATIONS

Model FW1-KIT: The single fan kit shall have a 4.7" square x 1.5"D [120mm square x 38mm] cast aluminum housing with black finish, 4.7" [120mm] diameter fan with 50cfm airflow and 28dBA noise rating, and 6-ft. [1829mm] black cord with plug.

### SERIES OVERVIEW

Model No.	Panel Description	Height x Width (square)	Fan Quantity	Total Airflow	Total Noise Rating	Power Required	Cord Type
FW1-KIT	Single Fan Kit	4.7 in. / 119mm	1	50cfm	28dBA	5.5 watts	standard (black)
FW1-KITT	Single Fan Kit with thermostat	4.7 in. / 119mm	1	50cfm	28dBA	5.5 watts	thermostat (green)

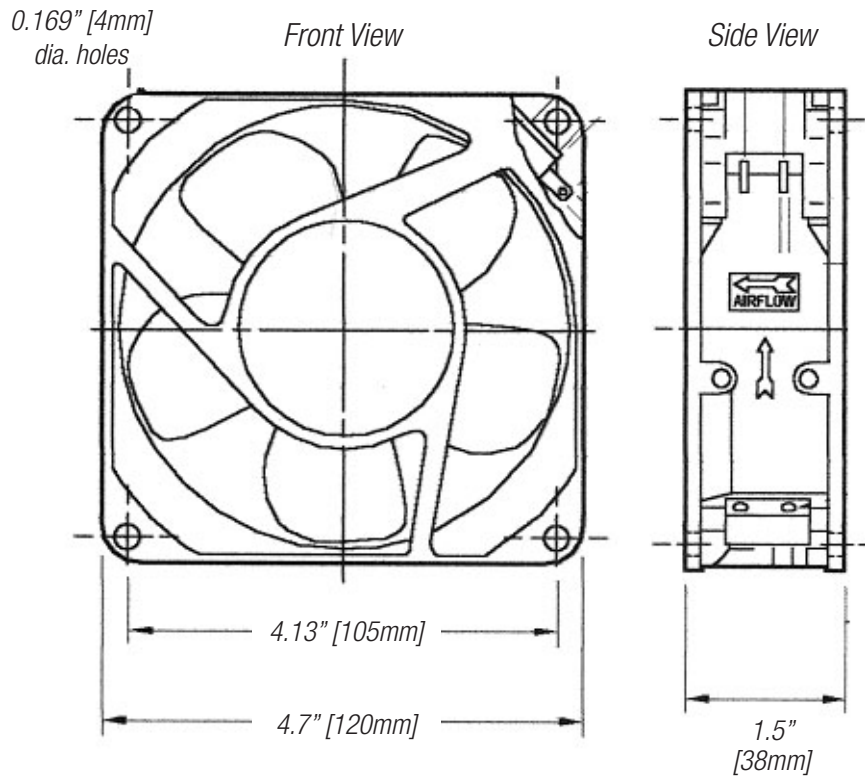
Optional:

FW-FF	Fan filter
-------	------------

One rack unit (RU or U) = 1.75 inches or 44.45 mm. Some measurement have been rounded.



**TECHNICAL DRAWINGS** Dimensions are inches and [mm] unless stated otherwise.



**INSTALLATION GUIDE**

