



100%
CERTIFIED
US STEEL

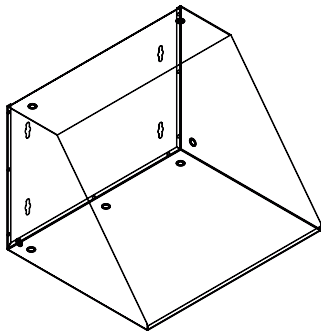


MADE IN
THE U.S.A.

features

- **Overall Height:** 15.00" [381]
- **Overall Depth:** 17.00" [432]
- **Overall Width:** 21.00" [533]
- **Description:** Steel wall-mount shelf is ideal for amplifiers and recorded music systems placed in educational, commercial, or retail applications where a full-size rack or cabinet may not be practical.
- **Construction:** Heavy duty one-piece construction. Welded 16-gauge certified U.S. steel. Smooth black powder epoxy finish.
- **Front:** Open front has a 1/2" return (lip) to help retain equipment.
- **Rear:** Mounts easily using keyhole slots on 16" centers.
- **Sides:** Sides feature combination knockouts for cable management (1/2"–3/4").
- **Bottom:** Solid steel with three combination knockouts along the back (1/2"–3/4").
- **Top:** Shallow formed top section features two combination knockouts (1/2"–3/4").
- **Load Capacity:** 200 lbs. [90 kg]

a&e specifications



The wall-mount shelf shall be Lowell model #WS21-17 with overall dimensions of 15"H x 17"D x 21"W. Construction shall be fully welded 16-gauge certified U.S. steel with smooth black powder epoxy finish and keyhole slots on 16" centers. The shelf shall feature 1/2"–3/4" combination knockouts on the top, bottom and sides. An integral 1/2" return shall be included on the front edge to help retain equipment. The shelf shall be manufactured in the U.S.A. and have a load capacity of 200 lbs. when properly mounted.

Model summary

Model No.	Overall Height	Overall Width	Overall Depth	Mounting Style	Combination Knockouts	Load Capacity
▶ WS21-17	15.00 [381]	21.00 [533]	17.00 [432]	Keyhole slots	2 top, 3 bottom, 1 on each side	200 lbs. [90 kg]

Rounded dimensions = inches [mm]



