



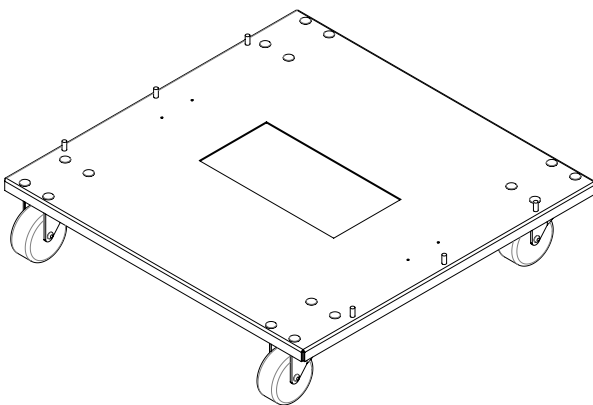
MADE IN THE USA



CERTIFIED US STEEL



The base features 3" casters with a specially formulated rubber tread that won't mar fine floors.



### features . . . . .

- **Description:** Designed to mount under a 22"D rack or cabinet frame with casters positioned far to the perimeter to enhance the stability of a fully loaded rack.
- **Overall Height:** 4.32" [110]
- **Overall Depth:** 21.88" [556]
- **Overall Width:** 22.31" [567]
- **Construction:** Rugged 14-gauge, fully-welded, steel construction. Black wrinkle powder epoxy finish.
- **Cable Management:** 10" x 5" center opening for cable routing.
- **Casters:** Four 3" swivel casters (two locking). Featuring a special formula rubber tread that won't mar fine floors like wood, marble, or tile Total load rating is 800 lbs.
- **Hardware:** Includes hardware for bolt-on installation.
- **Origin:** Made in the USA
- For use with LER, LFR, and LGR Series racks. *Do not use with seismic-certified racks.*
- Increases rack height 4.32".
- **Optional:** 3U steel panel (SP-3) can be used to close the center opening if desired.

### a&e specifications . . . . .

The rack's mobile base shall be Lowell Model LMSB-22FL, which shall be 14-gauge welded steel with 10" x 5" center opening for cable access and black wrinkle powder epoxy finish. It shall mount under the rack frame, raising overall height 4.32". The base shall feature four heavy duty 3" swivel casters (two locking) with a total load rating of 800 lbs. Casters shall have a special formula rubber tread that won't mar fine floors like wood, marble or tile. Mounting hardware shall be included.

### Model Summary

Model No.	Description	Overall Width	Overall Depth	Overall Height	Weight
LMSB-22	Shallow mobile base for 22"D rack	22.31 in / 567 mm	21.88 in / 556 mm	4.08 in / 104 mm	24 lbs / 11 kg
LMSB-22FL	Shallow mobile base w/fine-floor casters for 22"D rack	22.31 in / 567 mm	21.88 in / 556 mm	4.32 in / 110 mm	24 lbs / 11 kg

One rack unit (RU or U) = 1.75 inches or 44.45 mm.



