

Five-circuit power strip with 18 receptacles (nine duplex) and remote power control function can be combined with a variety of remote switches or sequencers to provide a low-voltage method of turning specific equipment on and off from a remote location. The ability to safely control AC power distribution without directly accessing equipment adds convenience, while minimizing the potential for unauthorized system modifications.

Note: External switches or a sequencer is required (order separately, pg.2).

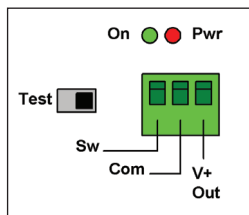
FEATURES:

- **Receptacles:** Total of nine (9) NEMA 5-20R duplex receptacles
- **Power Rating:** 120VAC 60Hz 20A each circuit
- **Circuits & Receptacles:**
 - One Unswitched Circuit: One NEMA 5-20R duplex receptacle (always on)
 - Four Switched Circuits: Each of the four circuits features two NEMA 5-20R duplex receptacles and a remote power control terminal (RPC). Connect remote switch(es) or sequencer to each RPC to control the receptacles on that circuit.
- **Chassis:** 60" x 2" x 2" steel chassis with black powder epoxy finish.
- **Termination:** Six ft. non-metallic flexible conduit with pigtail leads tagged for circuit identification. Conduit can be trimmed in the field as needed.
- **Universal Mounting Brackets:** The universal brackets allow for power strip installation in a variety of applications with receptacles facing front, center or rear. Brackets are engineered with multiple mounting points and include two types of hardware to facilitate easy installation in a rack with adjustable or fixed rails, to a wall, or under a desk/counter. The brackets can be mounted so they are exposed for easy access or concealed beneath the power strip for an aesthetically cleaner installation. Minimal rack panel space required = 61.25" (35U).
- **Origin:** Made in the U.S.A. with global components.
- **Third Party Listing:** ETL Listed in U.S. and Canada
- **A&E Specifications:** The ETL Listed power strip shall be Lowell model ACS-2018-5C-RPC-HW with power rating of 120VAC 60Hz 20A. The 60" x 2" x 2" steel chassis with black powder epoxy finish shall include five circuits and nine NEMA 5-20R duplex receptacles. One duplex shall be on an unswitched circuit (always on). The other duplexes shall be on four switched circuits which shall be activated and deactivated by an external switch or sequencer (ordered separately). It shall include universal mounting brackets and terminate with a six ft. non-metallic flexible conduit with pigtail leads. The power strip shall be made in the U.S.A. with global components.



REMOTE POWER CONTROL: Use low-voltage cable to connect the RPC terminal to an external switch or sequencer.

RPC Terminal:



On: Green LED indicates AC power is applied to receptacles.

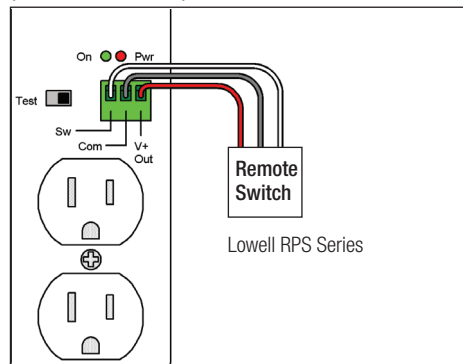
Power: Red LED indicates AC power is available.

Test: Test applies power to receptacles independent of remote switch or sequencer.

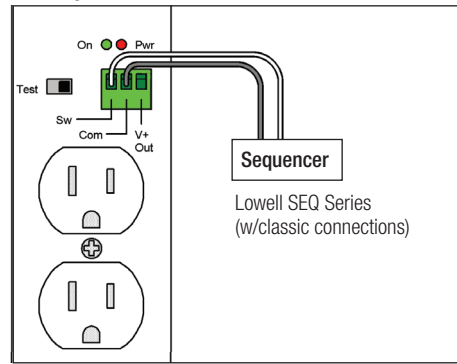
SW, Com: Connection between Switch and Common terminals activates internal relay and applies power to receptacles.

V+ Out: +24VDC output. Use only with RPS Series switches

**Connection to Remote Switch(es)
(wall or rackmount):**



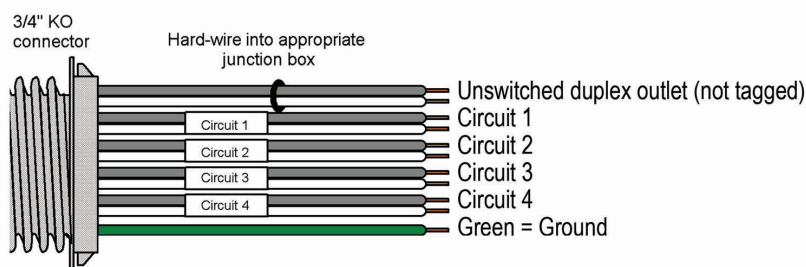
**Connection to Sequencer or Control System
with dry contact closure:**



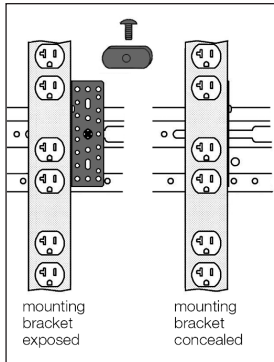
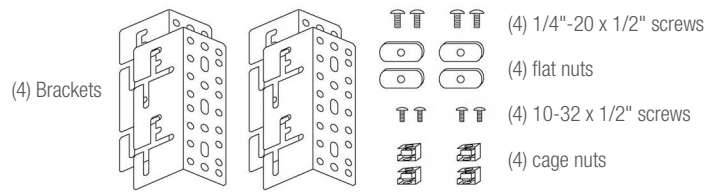
COMPATIBLE Switches & Sequencers: Order separately. See individual product spec sheets for more information.

Model No.	Description
RPSW-P	SPST switch w/maintained closure, one-gang white wall plate, rocker switch
RPSW-KP	SPST switch w/maintained closure, one-gang white wall plate, key switch
RPSB-R	SPST switch w/maintained closure, 1U rackmount panel, rocker switch
RPSB-KR	SPST switch w/maintained closure, 1U rackmount panel, key switch
SEQ-4	Four-step sequencer
SEQ-8	Eight-step sequencer
SEQR-4	Four-step rackmount sequencer w/rocker switch, 1U
SEQR-4K	Four-step rackmount sequencer w/key switch, 1U
SEQR-8	Eight-step rackmount sequencer w/rocker switch, 1U
SEQR-8K	Eight-step rackmount sequencer w/key switch, 1U

WIRING: The switched circuits are tagged for identification.

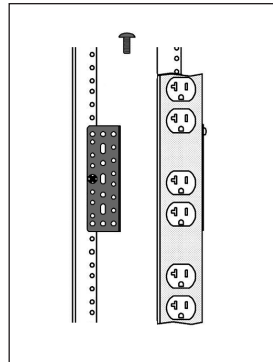


UNIVERSAL MOUNTING BRACKETS: The brackets can be mounted exposed for easy access or concealed for a cleaner install. Includes variety of hardware for versatile installation.



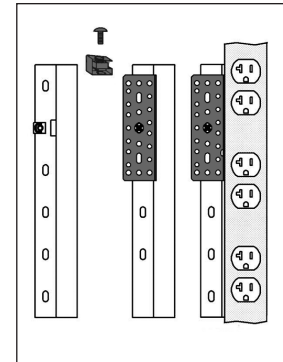
**RACK w/ADJUSTABLE RAILS
(side mount):**

Mount to horizontal side supports with universal brackets, 1/4"-20 screws, flat nuts.



**RACK w/ADJUSTABLE RAILS
(rear mount):**

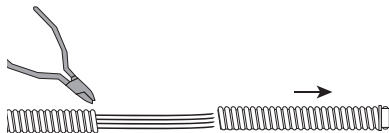
Mount to rear rail with universal brackets, 10-32 screws.



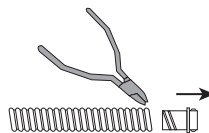
**RACK w/ FIXED POSITION RAILS
(and rear Z-angle bracket):**

Mount to Z-angle with universal brackets, 10-32 screws, cage nuts.

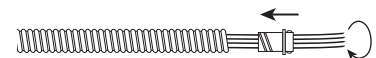
HOW TO TRIM THE CONDUIT: The 6 ft. non-metallic flexible conduit can be trimmed in the field.



- 1) REMOVE EXCESS LENGTH:
Snip reinforcing rib at desired length. Bend the conduit to expose the cut and carefully cut around the conduit without cutting the wires inside. Remove excess length.



- 2) REMOVE CONNECTOR:
Carefully snip the last rib(s) to loosen the connector from the excess length, then twist/pull to remove it.



- 3) REATTACH CONNECTOR:
Twist/push the connector to attach it to the shortened conduit.



ACS Series Power Strips (overview)

Model No.	Power Rating	NEMA Receptacles	Circuits	Chassis Length	Chassis Profile	Termination	On/Off Switch	Surge Suppression	Remote Power Control	Mounting Aids	Country of Origin
ACS-1505-SW	15A	5 (15A)	1	12"	Standard	6' Det. cord	Yes	---	---	Brackets	U.S.
ACS-1505-SW-SD	15A	5 (15A)	1	12"	Standard	6' Det. cord	Yes	2-stage	---	Brackets	U.S.
ACS-1506	15A	6 (15A)	1	20"	Low	6' Fixed cord	---	1-stage	---	Clips	China
ACS-1506-VW	15A	6 (15A)	1	12"	Low	6' Fixed cord	---	---	---	Screws	U.S.
ACS-1507	15A	7 (15A)	1	12"	Low	6' Det. cord	---	---	---	Screws	U.S.
ACS-1512	15A	12 (15A)	1	32"	Low	12' Fixed cord	---	1-stage	---	Clips	China
ACS-1524	15A	24 (15A)	1	60"	Low	12' Fixed cord	---	1-stage	---	Clips	China
ACS-1524-2C	15A	24 (15A)	2	70"	Low	Pigtail leads	---	---	---	Clips	China
ACS-2012	20A	8 (15A) + 4 (20A)	1	32"	Low	12' Fixed cord	---	1-stage	---	Clips	China
ACS-2024	20A	16 (15A) + 8 (20A)	1	70"	Low	12' Fixed cord	---	1-stage	---	Clips	China
ACS-2014-HW	20A	14 (20A)	1	30"	Standard	6' Conduit	---	---	---	Brackets	U.S.
ACS-2014-2C-HW	20A	8 (15A) + 6 (20A)	2	30"	Standard	6' Conduit	---	---	---	Brackets	U.S.
ACS-2020-6C-HW	20A	20 (20A)	6	60"	Standard	6' Conduit	---	---	---	Brackets	U.S.
ACS-2020-IG-6C-HW	20A	20 (I.G. 20A)	6	60"	Standard	6' Conduit	---	---	---	Brackets	U.S.
ACS-2020-IG-10C-HW	20A	20 (I.G. 20A)	10	60"	Standard	6' Conduit	---	---	---	Brackets	U.S.
ACS-2024-2C	20A	24 (20A)	2	70"	Low	Pigtail leads	---	---	---	Clips	China
ACS-1510-RPC	15A	10 (15A)	1	30"	Standard	6' Det. cord	---	---	Yes	Brackets	U.S.
ACS-2010-RPC-HW	20A	10 (20A)	1	30"	Standard	6' Conduit	---	---	Yes	Brackets	U.S.
ACS-2018-5C-RPC-HW	20A	18 (20A)	5	60"	Standard	6' Conduit	---	---	Yes	Brackets	U.S.
ACS-2018-5C-RPCP-HW	20A	18 (20A)	5	60"	Standard	6' Conduit	---	1-stage	Yes (P)	Brackets	U.S.

This spec

Chassis Profile = Standard profile (2" x 2"), Low profile (1.625" x 1.375")

Termination = Det. cord (detachable cord), Fixed cord (cord is attached—cannot be removed), Conduit (non-metallic flexible whip w/pigtail leads), Pigtail leads (leads at ends of chassis—no whip)

Switch = Yes (On/off rocker switch)

Surge Suppression = 1-stage (basic surge protection), 2-stage (surge protection with backup)

Remote Power Control = Some receptacles are controlled by a remote switch or sequencer (ordered separately); (P) indicates compatibility with Lowell P-Series pass-through sequencers.

Mounting Aids = Brackets (multi-hole brackets with hardware), Clips (clips and screws with wire tires), or Screws (power strips can mount to rear of US or USV Series shelves).

