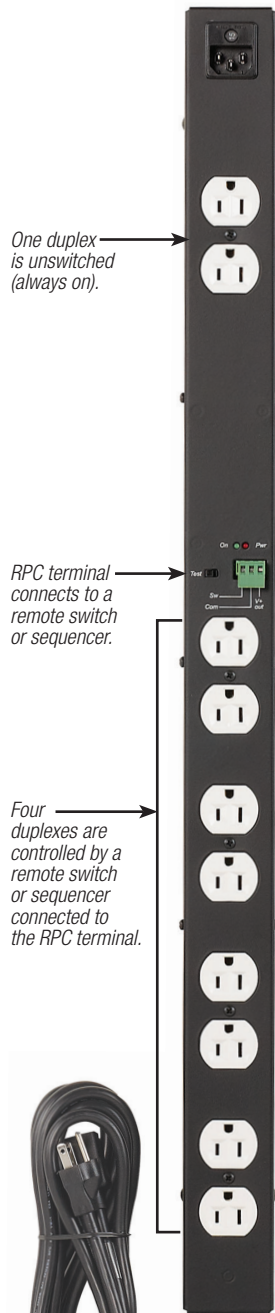


The corded power strip with ten 15A receptacles (five duplex) and remote power control function (RPC) can be combined with a variety of remote switches or sequencers to provide a low-voltage method of turning specific equipment on and off from a remote location. The ability to safely control AC power distribution without directly accessing equipment adds convenience, while minimizing the potential for unauthorized system modifications.

Note: An external power switch or sequencer is required (order separately, pg. 3).

FEATURES:

- **Receptacles:** Total of ten NEMA 5-15R receptacles (five duplex). One duplex is unswitched (always on when supplied with power). Four duplexes are switched (controlled by a remote switch or sequencer through the RPC terminal).
- **Power Rating:** 120VAC 60Hz 15A
- **Chassis:** 30" x 2" x 2" steel chassis with black powder epoxy finish
- **Termination:** Detachable six-ft. IEC cord with NEMA 5-15P plug
- **Universal Mounting Brackets:** The universal brackets allow for power strip installation in a variety of applications with receptacles facing front, center or rear. Brackets are engineered with multiple mounting points and include two types of hardware to facilitate easy installation in a rack with adjustable or fixed rails, to a wall, or under a desk/counter. The brackets can be mounted so they are exposed for easy access or concealed beneath the power strip for an aesthetically cleaner installation.
- **Installation:** Use the universal mounting brackets to install the power strip near the equipment. Use low-voltage cable to connect the RPC terminal to a remote switch or sequencer.
- **Origin:** Made in the U.S.A. with global components.
- **Certification:** ETL Listed in U.S./Canada
- **A&E Specifications:** The ETL Listed power strip with low-voltage remote power control shall be Lowell model ACS-1510-RPC, which shall have a power rating of 120VAC 60Hz 15A with circuit breaker protection. The chassis shall be steel with black powder epoxy finish, measuring 30" x 2" x 2". It shall feature one unswitched and four switched NEMA 5-15R duplex receptacles. The four switched duplexes shall be controlled by an external power switch or sequencer (ordered separately) that is connected to the power strip's remote power control terminal. The power strip shall be made in the U.S.A. with global components. It shall terminate with a detachable 6 ft. IEC cord with NEMA 5-15P plug, and include universal mounting brackets with hardware to mount to a rack, wall or desk.



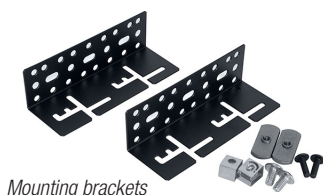
One duplex is unswitched (always on).

RPC terminal connects to a remote switch or sequencer.

Four duplexes are controlled by a remote switch or sequencer connected to the RPC terminal.



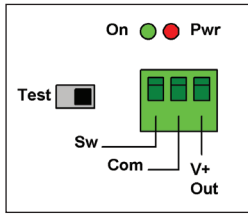
Detachable power cord



Mounting brackets

REMOTE POWER CONTROL: Use low-voltage cable to connect the RPC terminal to an external switch or sequencer.

RPC Terminal:



On: Green LED indicates AC power is applied to receptacles.

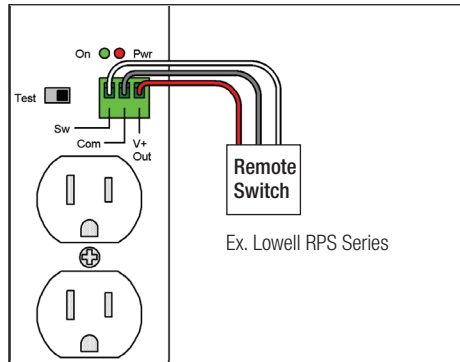
Power: Red LED indicates AC power is available.

Test: Test applies power to receptacles independent of remote switch or sequencer.

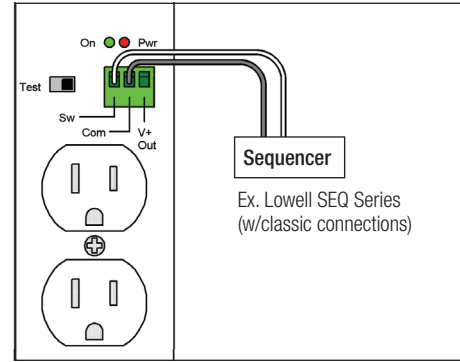
SW, Com: Connection between Switch and Common terminals activates internal relay and applies power to receptacles.

V+ Out: +24VDC output. Use only with RPS Series switches

Connection to Remote Switch (wall or rackmount):



Connection to Sequencer or Control System with dry contact closure:

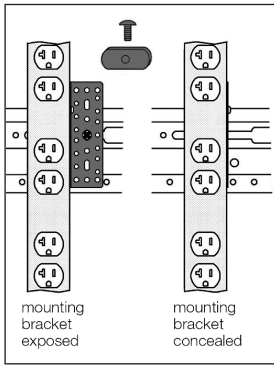
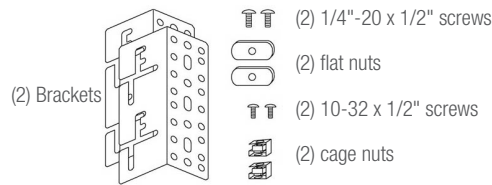


COMPATIBLE Switches & Sequencers: Order separately. See individual product spec sheets for more information.

Model No.	Description
RPSW-P	SPST switch w/maintained closure, one-gang white wall plate, rocker switch
RPSW-KP	SPST switch w/maintained closure, one-gang white wall plate, key switch
RPSB-R	SPST switch w/maintained closure, 1U rackmount panel, rocker switch
PRSB-KR	SPST switch w/maintained closure, 1U rackmount panel, key switch
SEQ-4	Four-step sequencer
SEQ-8	Eight-step sequencer
SEQR-4	Four-step rackmount sequencer w/rocker switch, 1U
SEQR-4K	Four-step rackmount sequencer w/key switch, 1U
SEQR-8	Eight-step rackmount sequencer w/rocker switch, 1U
SEQR-8K	Eight-step rackmount sequencer w/key switch, 1U

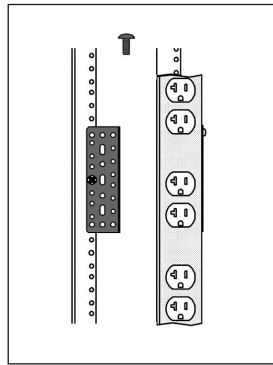


UNIVERSAL MOUNTING BRACKETS: The brackets can be mounted exposed for easy access or concealed for a cleaner install. Includes variety of hardware for versatile installation.



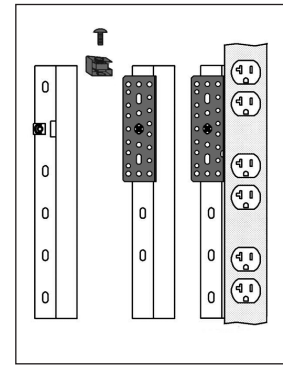
RACK w/ADJUSTABLE RAILS (side mount):

Mount to horizontal side supports with universal brackets, 1/4"-20 screws, flat nuts.



RACK w/ADJUSTABLE RAILS (rear mount):

Mount to rear rail with universal brackets, 10-32 screws.



RACK w/ FIXED POSITION RAILS (and rear Z-angle bracket):

Mount to Z-angle with universal brackets, 10-32 screws, cage nuts.

ACS Series Power Strips (overview)

Model No.	Power Rating	NEMA Receptacles	Circuits	Chassis Length	Chassis Profile	Termination	On/Off Switch	Surge Suppression	Remote Power Control	Mounting Aids	Country of Origin
ACS-1505-SW	15A	5 (15A)	1	12"	Standard	6' Det. cord	Yes	---	---	Brackets	U.S.
ACS-1505-SW-SD	15A	5 (15A)	1	12"	Standard	6' Det. cord	Yes	2-stage	---	Brackets	U.S.
ACS-1506	15A	6 (15A)	1	20"	Low	6' Fixed cord	---	1-stage	---	Clips	China
ACS-1506-WW	15A	6 (15A)	1	12"	Low	6' Fixed cord	---	---	---	Screws	U.S.
ACS-1507	15A	7 (15A)	1	12"	Low	6' Det. cord	---	---	---	Screws	U.S.
ACS-1512	15A	12 (15A)	1	32"	Low	12' Fixed cord	---	1-stage	---	Clips	China
ACS-1524	15A	24 (15A)	1	60"	Low	12' Fixed cord	---	1-stage	---	Clips	China
ACS-1524-2C	15A	24 (15A)	2	70"	Low	Pigtail leads	---	---	---	Clips	China
ACS-2012	20A	8 (15A) + 4 (20A)	1	32"	Low	12' Fixed cord	---	1-stage	---	Clips	China
ACS-2024	20A	16 (15A) + 8 (20A)	1	70"	Low	12' Fixed cord	---	1-stage	---	Clips	China
ACS-2014-HW	20A	14 (20A)	1	30"	Standard	6' Conduit	---	---	---	Brackets	U.S.
ACS-2014-2C-HW	20A	8 (15A) + 6 (20A)	2	30"	Standard	6' Conduit	---	---	---	Brackets	U.S.
ACS-2020-6C-HW	20A	20 (20A)	6	60"	Standard	6' Conduit	---	---	---	Brackets	U.S.
ACS-2020-IG-6C-HW	20A	20 (I.G. 20A)	6	60"	Standard	6' Conduit	---	---	---	Brackets	U.S.
ACS-2020-IG-10C-HW	20A	20 (I.G. 20A)	10	60"	Standard	6' Conduit	---	---	---	Brackets	U.S.
ACS-2024-2C	20A	24 (20A)	2	70"	Low	Pigtail leads	---	---	---	Clips	China
ACS-1510-RPC	15A	10 (15A)	1	30"	Standard	6' Det. cord	---	---	Yes	Brackets	U.S.
ACS-2010-RPC-HW	20A	10 (20A)	1	30"	Standard	6' Conduit	---	---	Yes	Brackets	U.S.
ACS-2018-5C-RPC-HW	20A	18 (20A)	5	60"	Standard	6' Conduit	---	---	Yes	Brackets	U.S.
ACS-2018-5C-RPCP-HW	20A	18 (20A)	5	60"	Standard	6' Conduit	---	1-stage	Yes (P)	Brackets	U.S.

This spec

Chassis Profile = Standard profile (2" x 2"), Low profile (1.625" x 1.375")

Termination = Det. cord (detachable cord), Fixed cord (cord is attached—cannot be removed), Conduit (non-metallic flexible whip w/pigtail leads), Pigtail leads (leads at ends of chassis—no whip)

Switch = Yes (On/off rocker switch)

Surge Suppression = 1-stage (basic surge protection), 2-stage (surge protection with backup)

Remote Power Control = Some receptacles are controlled by a remote switch or sequencer (ordered separately); (P) indicates compatibility with Lowell P-Series pass-through sequencers.

Mounting Aids = Brackets (multi-hole brackets with hardware), Clips (clips and screws with wire tires), or Screws (power strips can mount to rear of US or USV Series shelves).

