

rackmount panel punched for low voltage (decorator style) devices



Model #D4P-1



Optional DBB Series blank filler plates are used to plug unused positions.

### features . . . . .

- **Description:** Steel rackmount panel with black finish is pre-punched to hold up to 4 one-gang, decorator style devices, mounted horizontally. The panel utilizes minimal rack space while providing an organized way to mount low voltage devices.
- **Construction:**
  - 16-gauge certified U.S. steel
  - 19"W x 1U
  - Four punched openings sized to accept 1-gang decorator style devices, mounted horizontally.
  - Rear lacing flange for cable/wire management (0.625")
- **Finish:** Smooth black semi-gloss powder epoxy finish
- **Origin:** Made in the U.S.A.
- **Hardware:** Kep nut hardware
- **Compliance:** EIA compliant
- **Optional: (order separately)**
  - DBB Series: Blank filler plates are used to plug unused positions.
  - Device suggestions listed on pg. 2

### a&e specifications . . . . .

The rack shall include Lowell panel #D4P-1, which shall be formed steel construction (19"W x 1U) with rear lacing flange and four punched openings sized to accept one-gang, decorator style, low voltage devices, mounted horizontally. The panel shall have a smooth black powder epoxy finish and include Kep nut hardware. The panel shall be made in the U.S.A. with certified U.S. steel.

#### Lowell punched panel overview

Model No.	Description	Panel Space	Overall Width	No. of Punches	Device Mounted Direction	Pocket-ID™ Label Area	Carton Pack
D3P-ID-1	Rack panel for decorator device	1U	19.00 [483]	3	horizontal	yes	1
D3P-ID-2	Rack panel for decorator device	2U	19.00 [483]	3	horizontal	yes	1
<b>D4P-1</b>	<b>Rack panel for decorator device</b>	<b>1U</b>	<b>19.00 [483]</b>	<b>4</b>	<b>horizontal</b>	<b>---</b>	<b>1</b>
D8P-ID-3	Rack panel for decorator device	3U	19.00 [483]	8	vertical	yes	1
D9P-ID-3	Rack panel for decorator device	3U	19.00 [483]	9	vertical	yes	1
LVC8P-ID-2	Rack panel for volume controls	2U	19.00 [483]	8	---	yes	1
N10P-ID-1	Rack panel for Neutrik-D/Switchcraft-E	3U	19.00 [483]	10	---	yes	1
SG6P-3	Rack panel for standard (1g) wall plate device	3U	19.00 [483]	6	vertical	---	1

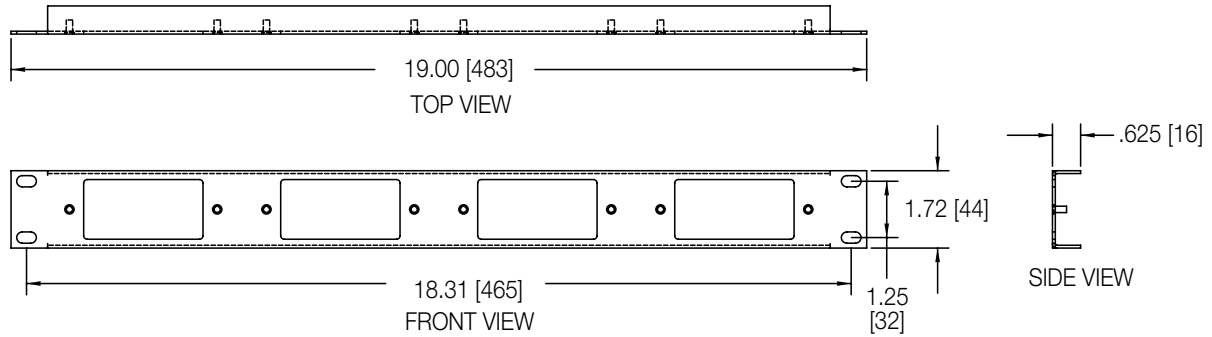
#### Blank Filler Plates (for decorator style punches, unused positions)

DBB-4	Blank filler plate (4 pk.)						1
DBB-50	Blank filler plate (50 pk.)						1
DBB-100	Blank filler plate (100 pk.)						1

Dimensions = inches [mm]; 1U = 1.75"



### technical drawings



### optional devices (order separately)

On/off switches are typically mounted in this panel. Remove the wall plate before installing the switch in the D4P-1 panel.

- RPSB-P: maintained closure remote switch, rocker, 1 LED
- RPSB-KP: maintained closure remote switch, key, 1 LED
- RPSB-MP: momentary closure remote switch, rocker, 1 LED
- RPSB-MKP: momentary closure remote switch, key, 1 LED
- RPSB2-MP: momentary closure remote switch, rocker, 2 LEDs
- RPSB2-MKP: momentary closure remote switch, key, 2 LEDs
- RPSB-KP-ASM: maintained closure remote (key) switch, 1 LED (for sequencers with ASM mode)