

rackmount panel punched for low voltage (decorator style) devices

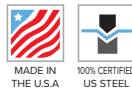
### features . . . . .



Model #D3P-ID-1 is a 1U panel for standard width devices.



Model #D3P-ID-2 is a 2U panel for standard or wide-body devices.



Optional DBB Series blank filler plates are used to plug unused positions.

- **Description:** Steel rackmount panels with black finish are pre-punched to hold up to 3 one-gang, decorator style devices, mounted horizontally. The panels provide an organized way to mount low voltage devices.
- **Construction:**
  - 16-gauge certified U.S. steel (19"W)
  - Three punched openings sized to accept 1-gang decorator style devices, mounted horizontally. The 1U panel is for standard width devices. The 2U panel can accept standard or wide-body devices.
  - Rear lacing flange for cable/wire management (0.625")
  - Pocket-ID™ plastic overlay will hold 1/2"H paper labels (not included). Download label template at Lowellmfg.com (PocketID-E)
- **Finish:** Smooth black semi-gloss powder epoxy finish
- **Origin:** Made in the U.S.A.
- **Hardware:** Included
- **Compliance:** EIA compliant
- **Optional: (order separately)**
  - DBB Series: Blank filler plates are used to plug unused positions.
  - Device suggestions listed on pg. 2

### a&e specifications . . . . .

The rack shall include Lowell panel \_\_\_\_\_ (#D3P-ID-1, #D3P-ID-2), which shall be formed steel construction, 19"W x \_\_\_\_\_ (1U, 2U) with rear lacing flange and three punched openings sized to accept one-gang, decorator style, low voltage devices, mounted horizontally. The panel shall have a smooth black powder epoxy finish and plastic overlays to hold paper labels (not included). The panel shall be made in the U.S.A. with certified U.S. steel.

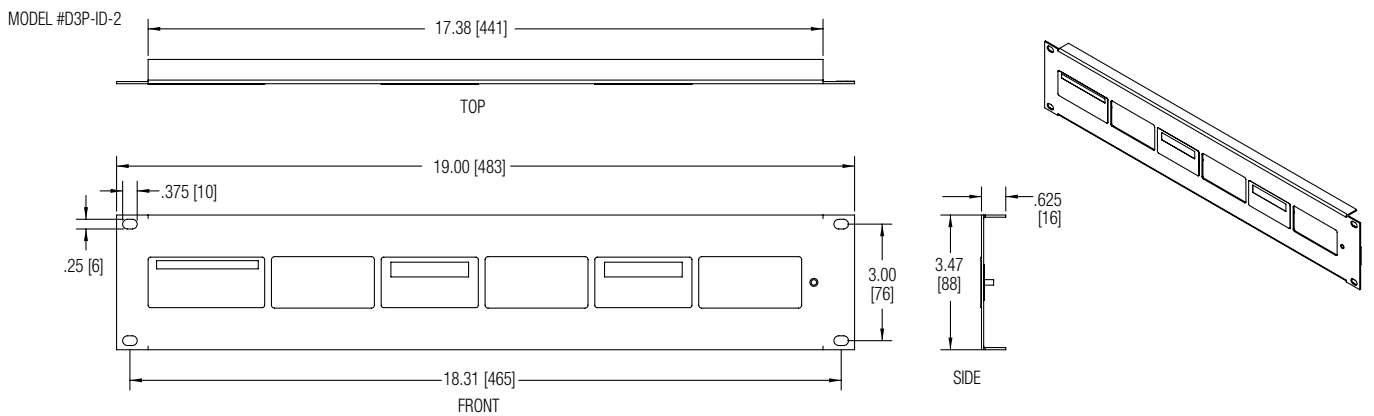
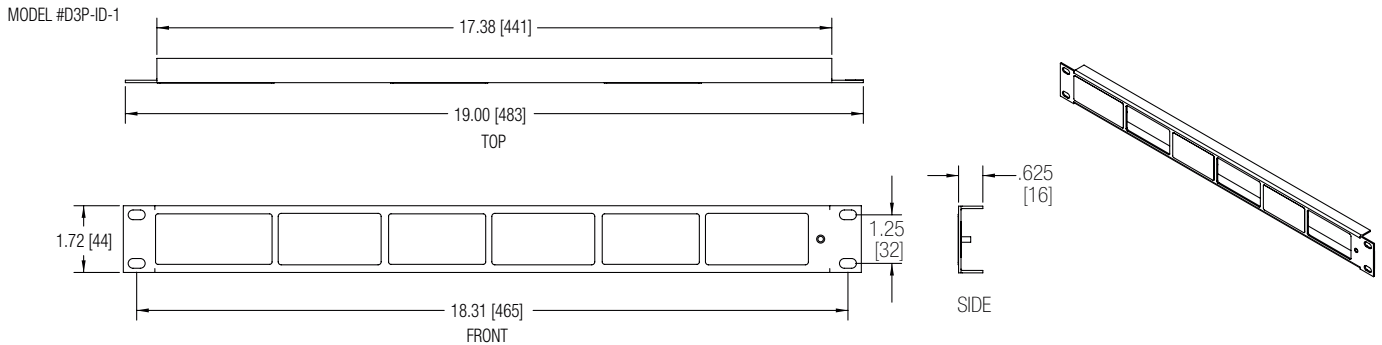
#### Lowell punched panel overview

Model No.	Description	Panel Space	Overall Width	No. of Punches	Device Mounted Direction	Pocket-ID™ Label Area	Carton Pack
▶ <b>D3P-ID-1</b>	<b>Rack panel for decorator device</b>	<b>1U</b>	<b>19.00 [483]</b>	<b>3</b>	<b>horizontal</b>	<b>yes</b>	<b>1</b>
▶ <b>D3P-ID-2</b>	<b>Rack panel for decorator device</b>	<b>2U</b>	<b>19.00 [483]</b>	<b>3</b>	<b>horizontal</b>	<b>yes</b>	<b>1</b>
D4P-1	Rack panel for decorator device	1U	19.00 [483]	4	horizontal	---	1
D8P-ID-3	Rack panel for decorator device	3U	19.00 [483]	8	vertical	yes	1
D9P-ID-3	Rack panel for decorator device	3U	19.00 [483]	9	vertical	yes	1
LVC8P-ID-2	Rack panel for volume controls	2U	19.00 [483]	8	---	yes	1
N10P-ID-1	Rack panel for Neutrik-D/Switchcraft-E	3U	19.00 [483]	10	---	yes	1
SG6P-3	Rack panel for standard (1g) wall plate device	3U	19.00 [483]	6	vertical	---	1
<b>Blank Filler Plates (for decorator style punches, unused positions)</b>							
DBB-4	Blank filler plate (4 pk.)						1
DBB-50	Blank filler plate (50 pk.)						1
DBB-100	Blank filler plate (100 pk.)						1

Dimensions = inches [mm]; 1U = 1.75"



### technical drawings



### optional devices (order separately)

On/off switches are typically mounted in these panels. Remove the wall plate before installing the switch in the panel.

- RPSB-P: maintained closure remote switch, rocker, 1 LED
- RPSB-MP: momentary closure remote switch, rocker, 1 LED
- RPSB2-MP: momentary closure remote switch, rocker, 2 LEDs
- RPSB-KP-ASM: maintained closure remote (key) switch, 1 LED (for sequencers with ASM mode)
- RPSB-KP: maintained closure remote switch, key, 1 LED
- RPSB-MKP: momentary closure remote switch, key, 1 LED
- RPSB2-MKP: momentary closure remote switch, key, 2 LEDs