



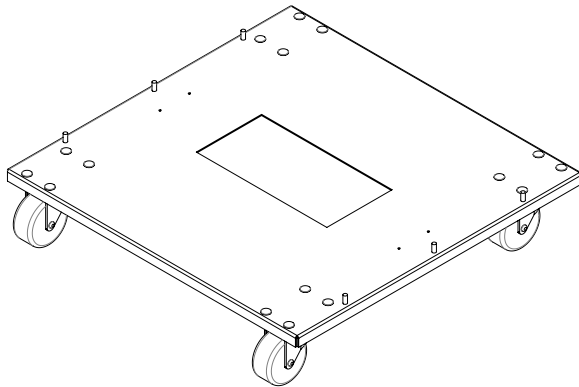
MADE IN THE USA



CERTIFIED US STEEL



The base features 3" swivel casters



### features . . . . .

- **Description:** Designed to mount under a 22"D rack or cabinet frame with casters positioned far to the perimeter to enhance the stability of a fully loaded rack.
- **Overall Height:** 4.08" [104]
- **Overall Depth:** 21.88" [556]
- **Overall Width:** 22.31" [567]
- **Construction:** Rugged 14-gauge, fully-welded, steel construction. Black wrinkle powder epoxy finish.
- **Cable Management:** 10" x 5" center opening for cable routing.
- **Casters:** Four 3" swivel casters (two locking). Total load rating is 1400 lbs.
- **Hardware:** Includes hardware for bolt-on installation.
- **Origin:** Made in the USA
- For use with LER, LFR, and LGR Series racks. *Do not use with seismic-certified racks.*
- Increases rack height 4.075".
- **Optional:** 3U steel panel (SP-3) can be used to close the center opening if desired.

### a&e specifications . . . . .

The rack's mobile base shall be Lowell Model LMSB-22, which shall be 14-gauge welded steel finished in black wrinkle powder epoxy with 10" x 5" center opening. The base shall mount under the rack frame. The heavy-duty 3" swivel casters—two locking—shall have a total load rating of 1400 lbs. The mobile base shall raise the rack height 4.075". Mounting hardware shall be included.

### Model Summary

Model No.	Description	Overall Width	Overall Depth	Overall Height	Weight
LMSB-22	Shallow mobile base for 22"D rack	22.31 in / 567 mm	21.88 in / 556 mm	4.08 in / 104 mm	24 lbs / 11 kg
LMSB-22FL	Shallow mobile base w/fine-floor casters for 22"D rack	22.31 in / 567 mm	21.88 in / 556 mm	4.32 in / 110 mm	24 lbs / 11 kg

One rack unit (RU or U) = 1.75 inches or 44.45 mm.

