



Model No. **LT-810** **1x2 Speaker System for Tile Ceilings**

- Includes 8" driver, 1x2 grille/subplate
- Infinite baffle (no enclosure)

Quick install speaker system for suspended tile ceilings features an 8" dual cone driver and 1'x2' fine perforation grille with subplate. The patented assembly features an integral T-bar support that quickly replaces half of a non-regular 2'x2' ceiling tile or one-fourth of a non-regular 2'x4' ceiling tile. Ideal for commercial paging and background music.

Features

- Driver (810): 8" 15W dual cone driver with 10 oz. magnet, frequency response of 54Hz-11.6kHz (±6dB); 50Hz-20kHz (±6.6dB) and sensitivity of 97.9dB avg. measured 1W/1M.
- Grille with subplate (1'x2'): Fine-perforation grille is designed to provide maximum free-air space for excellent sound transmission while maintaining an unobtrusive appearance in new or existing tile ceilings. Includes an integral 2' T-bar to support neighboring non-regular ceiling tile. Quick install. White finish.

A&E Specifications

The speaker system for suspended tile ceilings shall be Lowell Model No. LT-810. The 1'x2' system shall replace half of a non-regular 2'x2' ceiling tile or one-fourth of a non-regular 2'x4' ceiling tile and shall include an integral T-bar to support adjacent ceiling tile. Each speaker system shall include a factory-mounted driver mounted to a subplate with a fine perforation steel grille finished in white powder epoxy. The driver shall be 8" dual cone with a power rating of 15W and dispersion of 95 degrees conical. It shall have a magnet weight of 10 ozs., frequency response of 54Hz-11.6kHz (±6dB), 50Hz-20kHz (±6.6dB) and sensitivity of 97.9dB avg. measured 1W/1M.

Driver Specifications (half space)

Driver No.	Size	Power Rating	Type	Ceramic Magnet	Frequency Response	Dispersion @2000Hz -6dB	Voice Coil Impedance	Voice Coil Diameter	Sensitivity 1W / 1M	Max SPL**	Depth	Weight
810	8"	15W	Dual cone	10 oz.	54Hz-11.6kHz (+6dB) 50Hz-20kHz (+6.6dB)	95 degrees conical	8 ohms	1"	97.9dB Avg	109.7dB	2.84"	2.0 lbs.

** Calculated value 1M @ driver power rating.
Additional technical information is available on the spec sheet for driver No. 810.

Patented Integral T-Bar supports adjacent non-regular ceiling tile.*



Assembly is fabricated with a hole in one corner and restraint tab in the diagonally opposite corner for (two cable) code compliance. Use the tip of a screwdriver to bend the tab out for tie-offs.



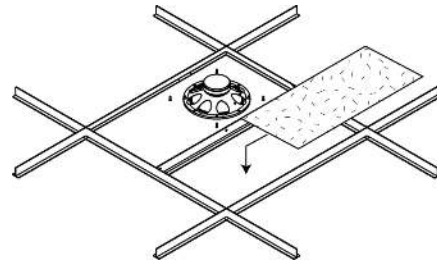
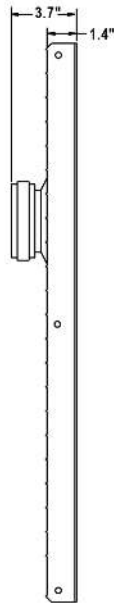
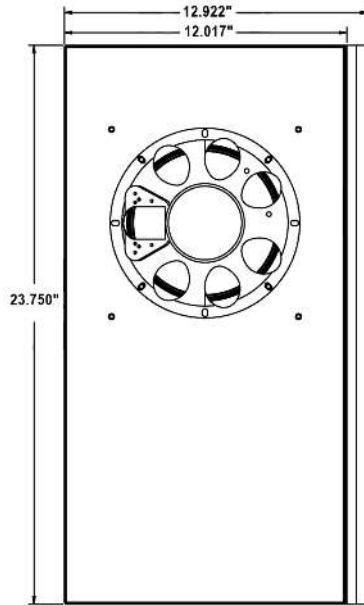
Mounted driver



Fine perforation grille

Heard Everywhere Since 1947

Drawings



1'x2' installation: Replaces half of a non-regular 2'x2' tile. Integral T-Bar supports non-regular tile that was cut.